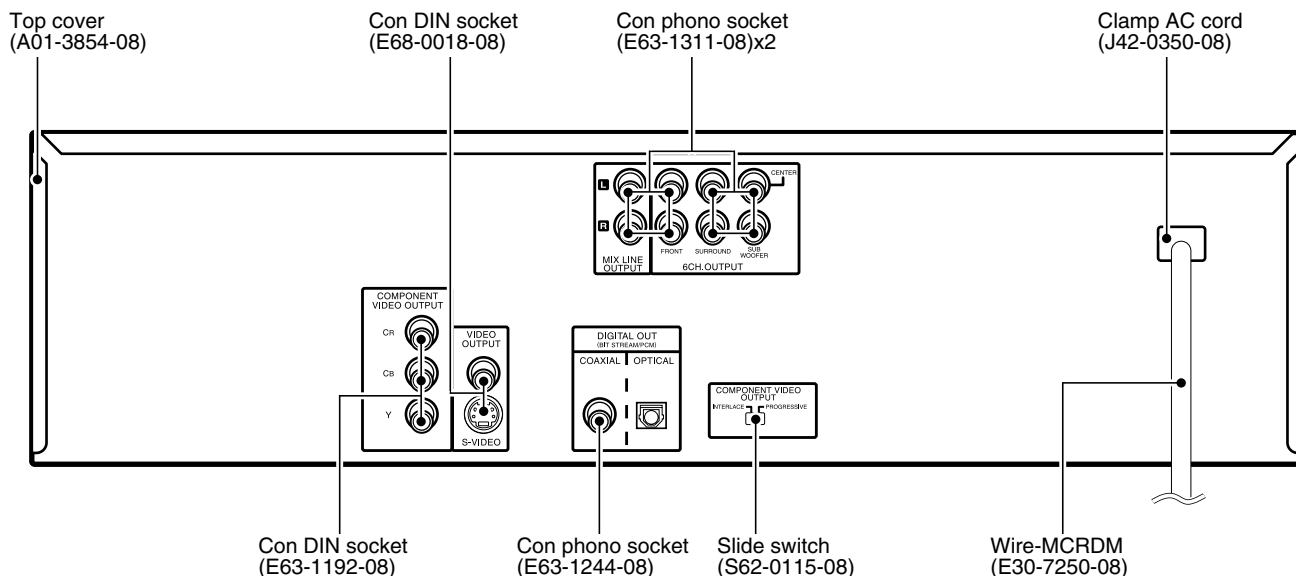
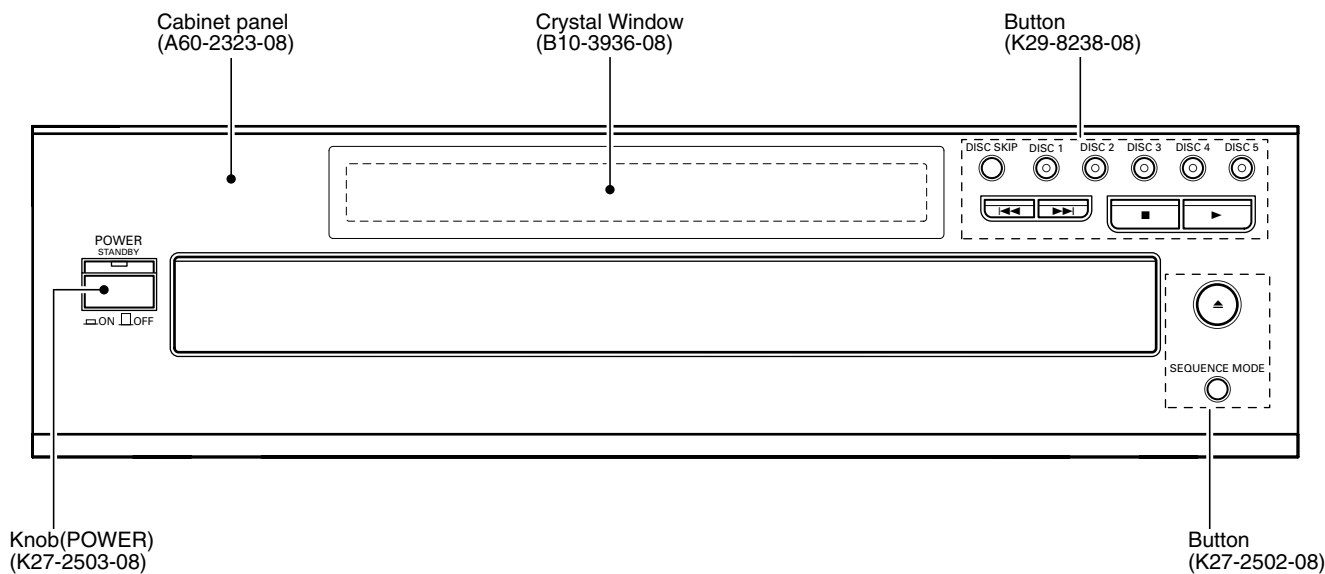


# DV-6050

## SERVICE MANUAL

© 2002-10 PRINTED IN KOREA  
B51-5831-00 (K/K) 1382



In compliance with Federal Regulations, following are reproduction of labels on, or inside the product relating to laser product safety.

**Caution** : No connection of ground line if disassemble the unit. Please connect the ground line on rear panel, PCBs, Chassis and some others.

KENWOOD Corp. certifies this equipment conforms to DHHS Regulations No.21 CFR 1040. 10, Chapter 1, subchapter J.

**DANGER** : Laser radiation when open and interlock defeated.  
**AVOID DIRECT EXPOSURE TO BEAM.**



# DV-6050

## CONTENTS / ACCESSORIES

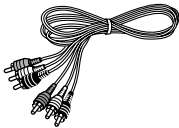
### Contents

CONTENTS / ACCESSORIES .....	2	SCHEMATIC DIAGRAM .....	28
DISASSEMBLY FOR REPAIR .....	3	EXPLODED VIEW .....	43
CIRCUIT DESCRIPTION .....	4	PARTS LIST .....	44
ADJUSTMENT .....	19	SPECIFICATIONS .....	Back cover
INTERCONNECTION DIAGRAM .....	20		
PC BOARD .....	21		

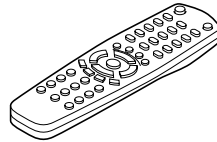
### Accessories

Please confirm that the following accessories are present.

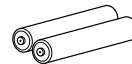
Audio video cord (Red, White, Yellow) ...(1)  
(E30-2990-08)



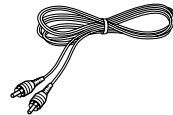
Remote control unit ...(1)  
(A70-1631-08)



Batteries(R03/AA) ...(2)



Coaxial cable ...(1)  
(E30-7235-08)



The marking of products using lasers  
(For countries other than U.S.A., U.S.-  
Military and Canada)

**CLASS 1  
LASER PRODUCT**

The marking this product has been classified as Class 1. It means that there is no danger of hazardous radiation outside the product.

Location: Back panel

**CAUTION  
VISIBLE LASER RADIATION  
WHEN OPEN. DO NOT**

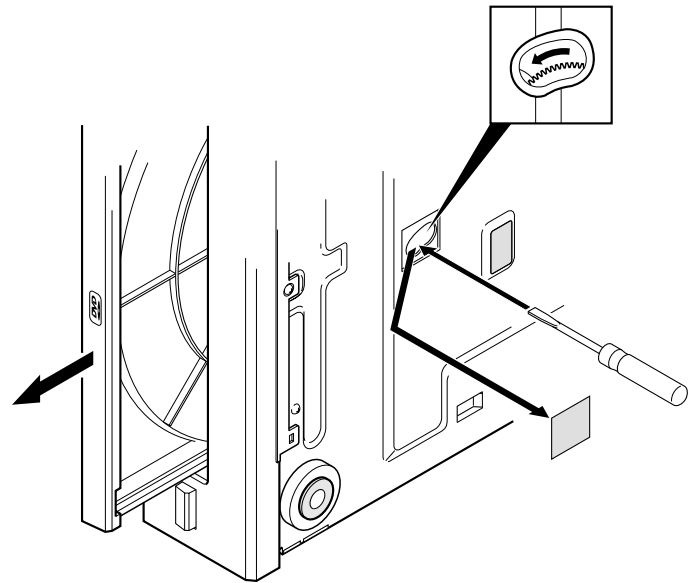
Inside this laser product, a laser diode classified as Class 2 laser radiation is contained as alerted by the internal caution label shown above. Do not stare into beam.

Location: DVD laser pick-up unit cover inside this product

## DISASSEMBLY FOR REPAIR

### 1. How to open the tray if it does not come out.

1. Remove the plastic plate.
2. Turn the gear fully CCW using a flat driver and so on in the drawing through the hole on the loading chassis bottom.
3. Pull out the tray frontward by hand when it comes just out.



### Disassembling and Assembling the DVD mechanism, DVD B'D and OUT B'D FTMS for Video Signal Adjustment

1. To release the rear panel, remove screws (①x9) and optical cap.

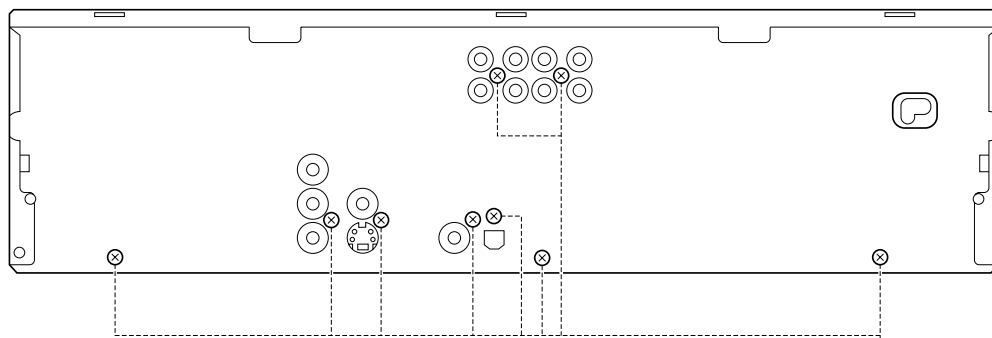


Fig. 1

2. Remove screws (②x2) and OUT B'D FTMS.
3. Remove connectors (③x3), power switch lever and screws (④x4).

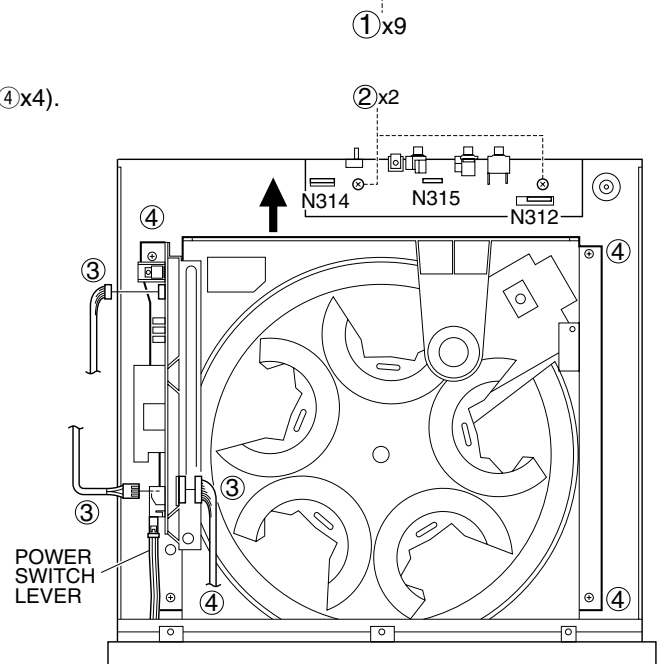
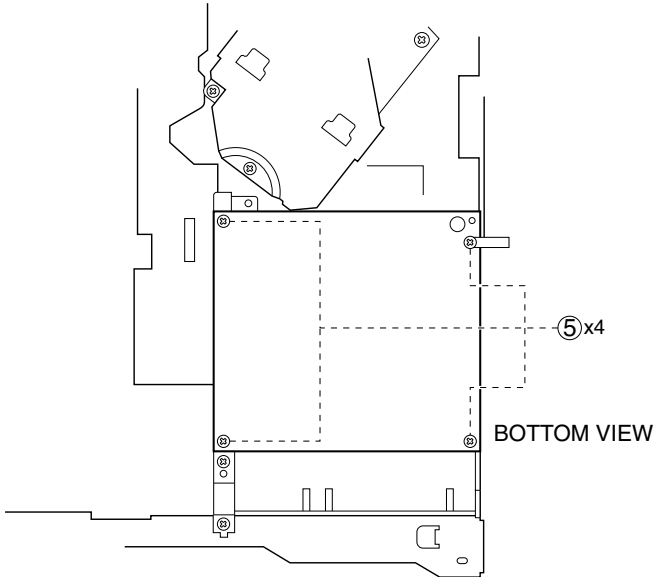


Fig. 2

# DV-6050

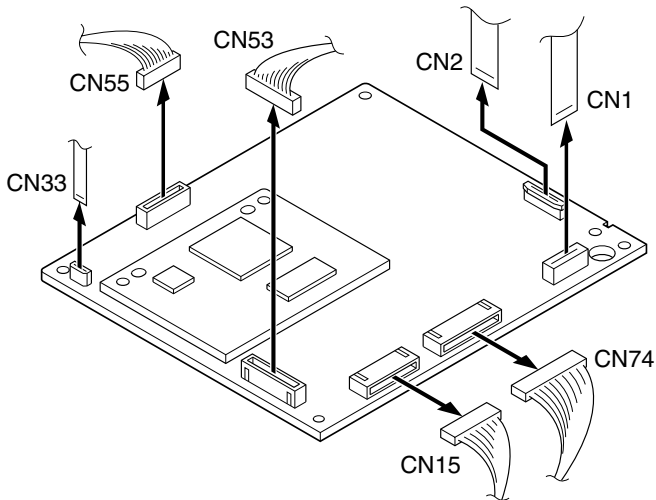
## DISASSEMBLY FOR REPAIR

4. Pull out the DVD mechanism horizontally.
5. Up-side-down the DVD mechanism.



**Fig. 3**

6. Remove screws (5x4) and DVD B'D.
7. Unplug the connectors (CN15, CN53, CN55, CN74) and disconnect 3 flexible cables (CN1, CN2, CN33).



**Fig. 4**

8. For the assembly procedure, follow the item 5 to 3 in reverse.
9. Set up the DVD B'D on the top as figure 5.

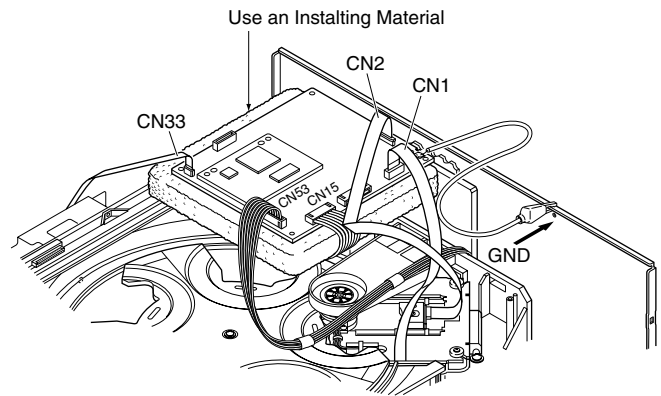
10. Connect a jig (E35-2113-05) to CN33 instead of an original flexible cable (E35-1990-05).

CN33 (Flexible cable)	Parts No.	Remark
Original	E35-1990-05	22cm
*	JIG	E35-2113-05
		35cm

\* (This is a jig for video signal adjustment, after adjusted it put back to an original flexible cable.)

11. Plug in the connectors (CN15, CN53) and connect 2 flexible cables (CN1, CN2).

\* Note : The connectors (CN55, CN74) are for audio signal line so that no necessary to put it back when video signal output adjustment.

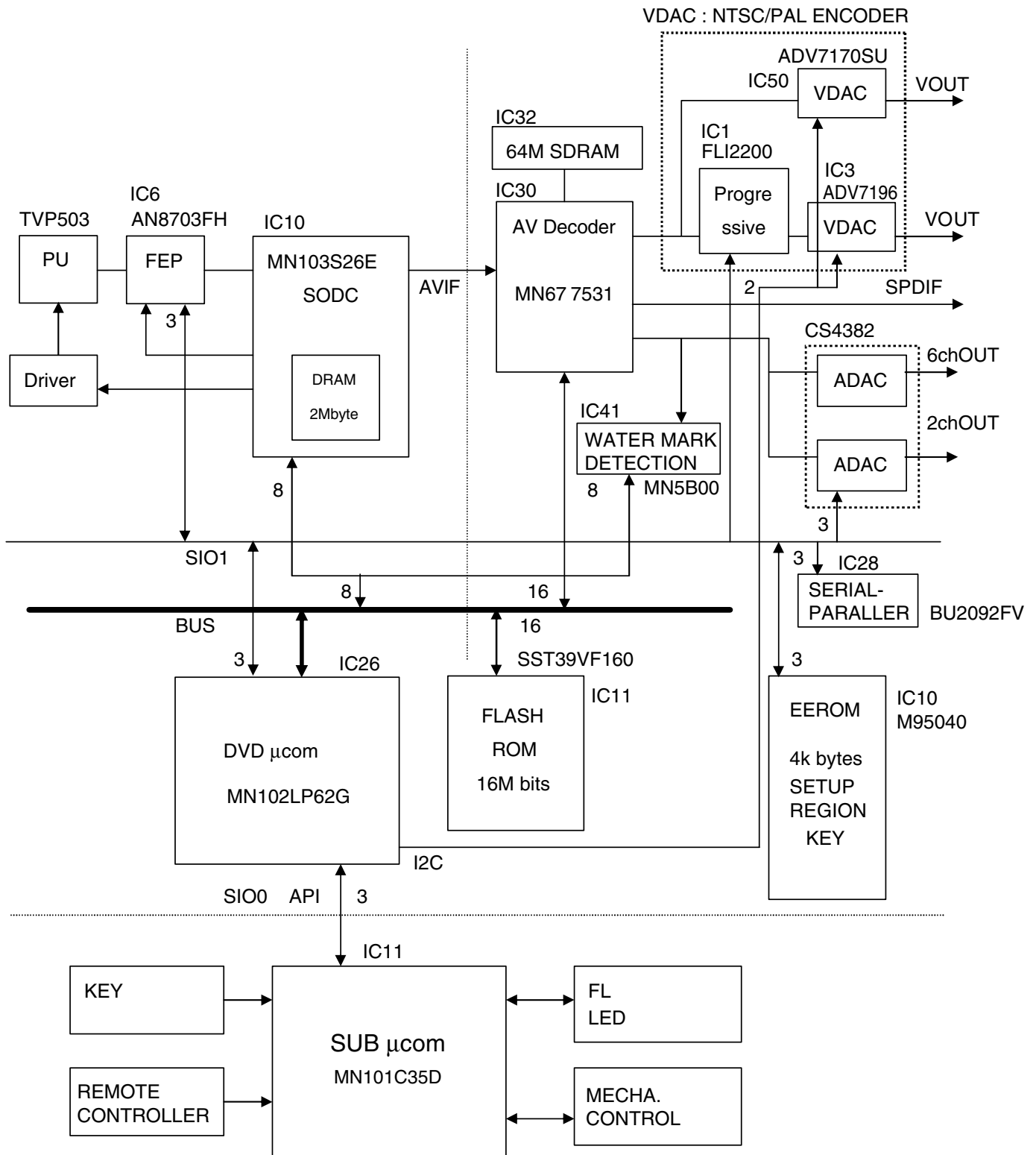


**Fig. 5**

12. Follow the item 2 and 1 in reverse.
13. Ground DVD B'D and rear panel as figure 5.
14. Follow the video signal output adjustment procedure.

## CIRCUIT DESCRIPTION

### 1. Microcomputer Periphery Block Diagram



## CIRCUIT DESCRIPTION

### 1-1 Pin Description of Sub Microcomputer : MN101C35D (FRONT, IC11)

Pin No.	Pin Name	I/O	Pin Description
1	DATA OUT	O	Communication data output to DVD system microcomputer.
2	DATA IN	I	Communication data input from DVD system microcomputer.
3	CLOCK	I	Communication clock input from DVD system microcomputer.
4~7	NC	O	Unused.
8	VDD	-	Positive power supply (+5.0V).
9	X-TAL	O	Master clock (8.0MHz) output.
10	EXTAL	I	Master clock (8.0MHz) input.
11	VSS	-	GND
12	NC	I	Unused.
13	NC	O	Unused.
14	NC(MMCD)	I	Unused.
15	VREF	-	AD converter reference voltage.
16~18	AD INPUT KEY (1~3)	I	AD input key (1~3).
19	INPUT REGION TYPE 2	I	AD input region type 2 (0V).
20	INPUT MODEL TYPE	I	AD input model type (5.0V).
21	INPUT REGION TYPE 1	I	AD input region type 1(0.64V).
22	UP SW	-	Unused.
23	DOWN SW	-	Unused.
24	VREF +	-	AD converter reference voltage.
25	CE	I	Chip enable input.
26	RST	I	Reset signal input.
27	OPEN SW	I	Open switch input from mechanism.
28	CLOSE SW	I	Close switch input from mechanism.
29	ROULETTE CCW	O	Control port of rotary motor.
30	ROULETTE CW	O	Control port of rotary motor.
31	OPEN/CLOSE MOTOR CCW	O	Control port of tray motor.
32	OPEN/CLOSE MOTOR CW	O	Control port of tray motor.
33	REMOCON CONTROL	I	Input port of remote controller signal.
34	MECHA DISC SENSOR	I	Detection port of disc sensor for mechanism.
35	MECHA POSITION SENSOR	I	Detection port of position sensor for mechanism.
36,37	NC	I	Unused.
38	OPEN/CLOSE CHECK	I	Unused.
39	EEPROM DATA OUT	O	EEPROM serial data out.
40	EEPROM DATA IN	I	EEPROM serial data input.
41	EEPROM CLOCK OUT	O	EEPROM serial clock input.
42	LED OUT 1(DISC1)	O	On/off control port for disc 1 LED.
43	LED OUT 2(DISC2)	O	On/off control port for disc 2 LED.
44	LED OUT 3(DISC3)	O	On/off control port for disc 3 LED.
45	LED OUT 4(DISC4)	O	On/off control port for disc 4 LED.
46	LED OUT 5(DISC5)	O	On/off control port for disc 5 LED.
47	EEPROM CS	O	Chip select output to EEPROM.
48~50	NC	O	Unused.
51	G14	O	Unused.
52	G13	O	Unused.
53~64	G12~G1	O	FL grid output (G12~G1).
65~86	P02~P23	O	FL segment output (P02~P23).
87	P01	O	FL segment output (P01).
88~96	NC	O	Unused.
97	VIDEO MUTE	O	Video mute control.
98	AUDIO MUTE	O	Audio mute control.
99	POWER CONTROL	O	Power relay control.
100	VPP	-	FL negative power supply.

## CIRCUIT DESCRIPTION

## 1-2 Pin Description of DVD Microcomputer : MN102LP62G (DVD AUDIO FRONT END, IC26)

Pin No.	Pin Name	I/O	Pin Description	Logic	
				H	L
1	WAIT	I	Bus wait port.		
2	NRD(ODC/AVDEC /SRAM)	O	Bus read port for ODC/AV Decoder/SRAM.		
3	NWEL	O	Bus read port for AV Decoder/RAM.		
4	NWEH(ODC/AVDEC /SRAM/ROM)	O	Bus read port for ODC/AV Decoder/SRAM/ROM.		
5	RAMCS(SRAM)	O	SRAM chip select.		
6	ODCCS	O	ODC chip select.		
7	AVCS(AVDEC)	O	AV decoder chip select.		
8	ROMCS(ROM)	O	Flash ROM chip select.		
9	SCLOCK(VDAC)	I/O	VDAC 12C clock.		
10	SDATA(VDAC)	I/O	VDAC 12C data.		
11	FRD(ROM)	O	Flash ROM read port.		
12	WORD	I	CSO bus width.		
13~16	CPUADR(0~3)	O	Bus address (0~3).		
17	VDD	-	Supply voltage (+3.3V).		
18	SYSCLK(AVDEC)	O	External clock output for AV decoder.		
19	VSS	-	Connected to ground.		
20	XI	I	Unused.		
21	XO	O	Unused.		
22	VDD	-	Supply voltage (+3.3V).		
23	OSCI(CLK135)	I	System clock input (13.5MHz).		
24	OSCO	O	Unused.		
25	MODE	I	Processor mode selection.	Expension Mode	
26~33	CPUADR4~11	O	Bus address (4~11).		
34	AVDD	-	Supply voltage (+3.3V).		
35~42	CPUADR12~19	O	Bus address (12~19).		
43	VSS	-	Connected to ground.		
44	CPUADR20	O	Bus address (20).		
45	CDH	O	Switching of DAC.	CD	Except CD
46	HFMON	O	HF monitor output of ADSC.		
47	25BSY	O	Writing busy data output.	Normal	Busy
48	KMODE	I	Selection of writing mode for the ROM.	Writing	Normal
49	196BSY	I	Busy data input.	Normal	Busy
50	FROMWR	O	Enable control for writing jig.		
51	TRVSW	I	Input port of traverse switch.	Off	On
52	AMUTE	O	Audio mute control.		
53	FEP RST	O	FEP reset output.		
54	VDD	-	Supply voltage (+3.3V).		
55	FEPEN	O	Enable output to FEP (traverse).		
56	NC	O	Unused.		
57	STBSACD	O	Unused.		
58	STBSP1	O	Strobe output to serial-parallel converter.		
59	STBDAC1	O	Strobe output to ADAC.		
60	STBPSL	O	Strobe output.		
61	VSS	-	Connected to GND.		
62	MSREADY	I	SACD ready signal input.		
63	E2CS	O	Chip select to EEPROM.		
64	PROGSW	I	Input port of program switch.	Progressive	Interlace
65	ICRST	O	Reset signal output to periphery ICs.		
66	VDD	-	Supply voltage (+3.3V).		

## CIRCUIT DESCRIPTION

Pin No.	Pin Name	I/O	Pin Description	Logic	
				H	L
67	SCLK0	O	SIO0 clock output to communicate between main microcomputer and DVD system microcomputer.		
68	SIO	I	SIO0 data input to communicate between main microcomputer and DVD system microcomputer.		
69	SO0	O	SIO0 data output to communicate between main microcomputer and DVD system microcomputer.		
70	SCLK1	O	SIO1 clock output for control ICs.		
71	SI1	I	SIO1 data input for control ICs.		
72	SO1	O	SIO1 data output for control ICs.		
73	PULL UP0	I	Unused.		
74	PULL UP1	I	Unused.		
75	NMI	I	Unused.		
76	SODCINT0	I	Interruption port from SODC.		
77	SODCINT1	I	Interruption port from SODC.		
78	AVINT0	I	Interruption 0 port from AV decoder.		
79	WMINT	I	Interruption port from Water Mark Detector.		
80	AVINT1	I	Interruption port 1 from AV decoder.		
81	ADSEP	I	Unused.		
82	RST	I	Reset signal input.		
83	VDD	-	Supply voltage (+3.3V).		
84~91	CPUDT0~7	I/O	Bus data (0~7) input and output.		
92	VSS	-	Connected to GND.		
93~100	CPUDT8~15	I/O	Bus data (8~15) input and output.		

### 2. Key Matrix \* Pin Numbers of Sub Microcomputer

Voltage	AD INPUT KEY 1 * Pin 16	AD INPUT KEY 2 * Pin 17	AD INPUT KEY 3 * Pin 18
0V	PLAY/PAUSE	STOP	DISC1
0.64V	-	-	-
1.35V	OPEN/CLOSE	SKIP UP/NEXT	DISC2
2.18V	DISC SKIP	SKIP DOWN/PREV	DISC3
2.75V	-	-	DISC4
3.40V	-	-	DISC5

### 3. Pin Description of IC's

#### 3-1 4ch BTL Driver : BA5823FM (DVD AUDIO FRONT END, IC5)

Pin No.	Pin Name	I/O	Pin Description
1	BIAS1	I	Input of bias1.
2	VIN1	I	CH1 input.
3	VIN2	I	CH2 input.
4	OPIN (+)	I	Not inverted input of OP-AMP.
5	OPIN (-)	I	Inverted input of OP-AMP.
6	OPOUT	O	Output of OP-AMP.
7	AGND	-	Analog ground.
8	MGND	-	GND
9	P.VCC2	-	Power supply (+5.0V)
10	MUTE2	-	Mute control of CH2.
11	DGND	-	Digital ground.
12	V02 (-)	O	Driver CH2 output (-).
13	V02 (+)	O	Driver CH2 output (+).
14	V01 (-)	O	Driver CH1 output (-).
15	V01 (+)	O	Driver CH1 output (+).



## CIRCUIT DESCRIPTION

Pin No.	Pin Name	I/O	Pin Description
16	V04 (+)	O	Driver CH4 output (+).
17	V04 (-)	O	Driver CH4 output (-).
18	V03 (+)	O	Driver CH3 output (+).
19	V03 (-)	O	Driver CH3 output (-).
20	MGND	-	GND
21	MUTE4	-	Mute control of CH4.
22	P. VCC2	-	Power supply (+9.0V)
23	MGND	-	PRE VCC
25	RREVC0	-	Terminated to VCC (+9.0V).
25	VIN3	I	CH3 input.
26	LDIN	I	Loading input of CH4.
27	BIAS2	I	Input of bias2.
28	TRIN	I	Traverse input of CH4.
29	MUTE3	-	Mute control of CH3.
30	CNT	-	Control pin.

## 3-2 Front End Processor IC : AN8703FH (DVD AUDIO FRONT END, IC6)

Pin No.	Pin Name	I/O	Pin Description
1	LPC1	I	Laser pin input (DVD head).
2	LPC01	O	Laser drive output (DVD head)pin.
3	LPC2	I	Laser pin input (CD head).
4	LPC02	O	Laser drive output (CD head)pin.
5	VFO SHORT	-	Setting pin for RF short mode.(Terminated to ground.)
6	TBAL	I	Tracking balance control input.
7	FBAL	I	Focus balance control input.
8	POFLT	-	Detection filter of phase difference.
9	DTRD	-	Data read.
10	DGT	-	ID gate.(Terminated to ground.)
11	STANDBY	-	Setting pin for standby mode.
12	SEN	I	Serial transfer enable input.
13	SCK	I	Serial transfer clock input.
14	STDI	I	Serial transfer data input.
15	RSCL	-	Connection pin for reference current generation resistance.
16	JLINE	-	Connection pin for input resistance.
17	TEN	I	Inverted input pin of tracking error output amplifier.
18	TEOUT	O	Tracking error signal output.
19	AGCBAL	-	AGC balance.
20	ASOUT	O	Focus addition output.
21	FEN	I	Inverted input pin of focus error output amplifier.
22	FEOUT	O	Focus error signal output.
23	AGCOFST	-	AGC off set.
24	MON	-	Monitor pin for checking.
25	AGCLVL	-	AGC level.
26	GND2	-	Ground for AGC.
27	VREF2	O	VREF for AGC.
28	VCC2	-	Power supply for AGC.
29	VHALF	O	VCC3/2
30	DFLTON	O	AGC/equalizer output (-)
31	DFLTOP	O	AGC/equalizer output (+)
32	DCFLT	-	Capacitance connection for filter output.
33	GND3	-	Ground for logic.
34	RFDIFO	O	Radial differential signal output.
35	RFOUT	O	RF addition amp output
36	VCC3	-	Power supply for logic.
37	RFC	-	RF delay correction amplifier filter.

## CIRCUIT DESCRIPTION

Pin No.	Pin Name	I/O	Pin Description
38	DCRF	-	DC cut filter pin for RF addition amplifier.
39	OFTR	O	OFTR output pin.
40	BDO	O	BDO output pin.
41	RFENV	O	RF envelope output.
42	BOTTOM	-	RF envelope bottom detection filter pin.
43	PEAK	-	RF envelope peak detection filter pin.
44	AGCG	-	AGC loop filter pin.
45	AGCO	-	AGC off set elimination filter pin.
46	TESTSG	I	Single signal input for test.
47	RFINP	I	RF differential signal input (+).
48	RFINN	I	RF differential signal input (-).
49	VIN5	I	Internal RF (CD) input pin 1.
50	VIN6	I	Internal RF (CD) input pin 2.
51	VIN7	I	Internal RF (CD) input pin 3.
52	VIN8	I	Internal RF (CD) input pin 4.
53	VIN9	I	External RF (DVD) input pin 2.
54	VIN10	I	External RF (DVD) input pin 1.
55	VCC1	-	Power supply for servo.
56	VREF1	O	VREF for servo.
57	VIN1(VB)	I	Internal RF (DVD) input pin 1.
58	VIN2VC)	I	Internal RF (DVD) input pin 2.
59	VIN3(VD)	I	Internal RF (DVD) input pin 3.
60	VIN4(VA)	I	Internal RF (DVD) input pin 4.
61	GND1	-	Ground for servo.
62	VIN11(VE)	I	3 beam sub (CD) RF input pin 2.
63	VIN12(VF)	I	3 beam sub (CD) RF input pin 1.
64	HDTYPE	-	Switching pin of reference voltage or APC circuit polarity for DVD.

### 3-3 Digital Servo Control IC : MN103S26E (DVD AUDIO FRONT END, IC10)

Pin No.	Pin Name	I/O	Pin Description
1	NINT0	O	Unused.
2,5	NINT(1,2)	O	Interruption signal (1,2) to DVD CPU.
3,31,57,78,125,143, 156,162,169	VDD3	-	Power supply (+3.3V) for IO.
4,19,32,60,77,81, 126,144,155,163, 170	VSS	-	GND
6	WAITODC	O	Wait signal to DVD CPU.
7	NMRST	O	Reset output to DVD CPU (unused).
8	DASPST	I	Initial set point of DASP signal.
9~17,22~30	CPUADR(17~0)	I	Address (17~0) from DVD CPU.
18,76,152	VDD18	-	Power supply (+1.8V) for IO.
20,58	DRAMVDD18	-	Power supply (+1.8V) for DRAM.
21,59	DRAMVSS	-	Ground for DRAM.
33	DRAMVDD3	-	Power supply (+3.3V) for DRAM.
34	MCS	I	Chip select signal from DVD CPU.
35	NWR	I	Write signal from DVD CPU.
36	NRD	I	Read signal from DVD CPU.
37~44	CPUDT(7~0)	I/O	DVD CPU data (7~0).
45	CLKOUT	O	Unused.
46	MMOD	I	Switching signal for test mode.
47	NRST	I	Reset input.
48	MSTPOL	I	Switching pin of polarity for master pin.
49	SCLOCK	I	Debug serial clock.
50	SDATA	I	Debug serial data.

## CIRCUIT DESCRIPTION

Pin No.	Pin Name	I/O	Pin Description
51	OFTR	I	Input of off track signal.
52	BDO	I	Input of drop out signal.
53~56,61~64	PWM(1~8)	I/O	General PWM (1~8)output.
65	TBAL	O	Tracking balance adjustment output.
66	FBAL	O	Focus balance adjustment output.
67	TRSDRV	O	Traverse drive output.
68	SPDRV	O	Spindle drive output.
69	FG	I	Input of motor FG.
70	TILTP	O	Tilt drive output (+).
71	TILT	O	Tilt drive reference output.
72	TILTN	O	Tilt drive output (-).
73	TX	O	Output signal of digital out (unused).
74	DTRD	O	Switching signal of frequency control for data section (unused).
75	IDGT	O	Switching signal of CAPA section (unused).
79	OSCI1	I	Input of crystal oscillator (16.9344MHz).
80	OSCO1	O	Output of crystal oscillator (unused).
82	TSTSG	O	EQ calibration signal.
83	VFOSHORT	O	Output pin of VFO short (unused).
84	JLINE	O	Setting pin of J-LINE.
85,94,102,113	AVSS	-	Ground for analog.
86	ROUT	O	Audio output of MASH Rch (unused).
87	LOUT	O	Audio output of MASH Lch (unused).
88,99,109,116	AVDD	-	Power supply (+3.3V) for analog.
89	VCOF	I	Control voltage for JFVCO.
90	TRCRS	I	Signal input for track cross formation.
91	CMPIN	I	WOBBLE comparator input (unused).
92	LPFOUT	O	LPF output (unused).
93	LPFIN	I	LPF input.
95	HRFOUT	O	HPF output (unused).
96	HRFIN	I	HPF input.
97	CSLFLT	I	Capacitor for CPDET (unused).
98	RFDIF	I	RF input for CPDET.
100	PLFLT2	I	Capacitor 2 for PLL.
101	PLFLT1	I	Capacitor 1 for PLL.
103	RV1	I	Resistance for reference current source.
104	VREFH	I	Reference voltage input (+2.2V).
105	PLPLG	I	Resistance for PLL phase gain setting (unused).
106	VHALF	I	Reference voltage input (+1.65V).
107	DSL2	I	Capacitor 2 for DSL.
108	DSL1	I	Capacitor 1 for DSL.
110	NARF	I	Equivalent RF (-) input.
111	ARF	I	Equivalent RF (+) input.
112	JITOUT	O	Output pin for jitter monitor.
114	DAC0	O	Output pin of tracking drive.
115	DAC1	O	Output pin of focus drive.
117	AD0	I	FE input.
118	AD1	I	TEph/TE3b/Tepp input.
119	AD2	I	AS input.
120	AD3	I	RF envelope input.
121	AD4	I	Input of phase difference for tangential (unused).
122	AD5/CAPAC2	I	Upper CAPA envelope input /hold capacitor
123	AD6CAPAC1	I	Lower CAPA envelope input /hold capacitor
124	TECAPA	I	Tracking error signal for CAPA.
127~130	MON(10~13)	O	Internal signal monitor (unused).
131	NEJECT	I/O	Detection pin of eject.

## CIRCUIT DESCRIPTION

Pin No.	Pin Name	I/O	Pin Description
132	NTRYCL	I/O	Detection pin of tray close.
133	NDASP	I/O	ATAPI drive active/slave input and output (unused).
134	NCS3FX	I	Selection of ATAPI host chip.
135	NCS1FX	I	Selection of ATAPI host chip.
136	DA2	I/O	ATAPI host address.
137	DA0	I/O	ATAPI host address (unused).
138	NPDIAG	I/O	Diagnosis input/output from ATAPI slave to master (unused).
139	DA1	I/O	ATAPI host address (unused).
140	NIOCS16	O	Selection of ATAPI host data bus width (unused).
141	INTREQ	O	ATAPI host interrupt request.
142	NDMACK	I	ATAPI host DMA request.
145	IORDY	O	ATAPI host ready output.
146	NIORD	I/O	ATAPI host data read.
147	NIOWR	I/O	ATAPI host data write.
148	DMARQ	O	ATAPI host DMA request (unused).
149~151,157~161, 164~168,171~173	HDD (0~15)	I/O	ATAPI host data (0~15).
153	PO	I	Terminated to ground.
154	UATASEL	I	Terminated to ground (unused).
174	VDDH	-	Reference power supply (+3.3V) for ATAPI.
175	NRESET	I	ATAPI host reset input.
176	MASTER	I	ATAPI master/slave selection.

### 3-4 Clock Generator : SM8703CV (DVD AUDIO FRONT END, IC14)

Pin NO.	Pin Name	I/O	Pin Description
1	VDD	-	Digital power supply.
2	VSS	-	Digital ground.
3	MO1	O	27MHz fixed output pin 1.
4	MCK	I	Serial interface bit clock input.
5	MLEN	I	Serial interface latch enable input.
6	VDDA	-	Analog power supply.
7	VSSA	-	Analog ground.
8	XTI	I	Crystal resonator connection pin.
9	XTO	O	Crystal resonator connection pin.
10,11,17,21	RSV	-	Unused.
12	SO1	O	33.8688MHz fixed output pin.
13	VSS2	-	Ground 2 for output.
14	VDD2	-	Power supply 2 for output.
15	SO4	O	Output for 512fs.
16	SO3	O	Output for 512fs.
18	VSS1	O	Ground 1 for output.
19	VDD1	-	Power supply 1 for output.
20	SO2	O	Output for 384fs.
22	SO5	O	Output for 768fs.
23	FSEL/MDT	I	Parallel mode : Sampling frequency Select Signal Input Serial mode : Control Data Input
24	MO2	O	27MHz fixed output pin 2.

## CIRCUIT DESCRIPTION

### 3-5 Serial Parallel IC : BU2092FV (DVD AUDIO FRONT END, IC28)

Pin No.	Pin Name	I/O	Pin Description
Q0(5)	SWIDE1	O	Unused.
Q1(6)	SWIDE2	O	Unused.
Q2(7)	Bass Manage	O	High : When bass management
Q3(8)	LPF SEL	O	Switching Low Pass Filter
Q4(9)	DACRST	O	Reset for Audio DAC
Q5(10)	PROGH	O	High : When progressive
Q6(11)	RGBL	O	Unused.
Q7(14)	DWIDE1	O	Unused.
Q8(15)	YCL/DWIDE2	O	Unused.
Q9(16)	TNOCHG	O	Unused.
Q10(17)	CLKSEL1	O	Switching of sampling frequency
Q11(18)	CLKSEL2	O	Switching of MP3 clock

### 3-6 8-Channel D/A Converter : CS4382 (AUDIO, I400)

Pin No.	Pin Name	I/O	Pin Description
1,3,45,47	DSDA(1~4)	I	Direct stream digital input (unused).
2,44,46,48	DSDB(1~4)	I	Direct stream digital input (unused).
4	VD	-	Positive power supply for the digital section.
5,31	GND	-	Analog ground.
6	MCLK	I	Master clock input.
7,10	LRCK(1,2)	I	L/R clock input.
8,11,13,14	SDIN(1~4)	I	Serial audio data input.
9,12	SCLK(1,2)	I	Audio output bit clock.
15	SCL/CCLK	I	Serial clock for the serial audio interface.
16	SDA/CDIN	I/O	SDA is a data I/O line in two-wire mode. CD IN is the input data line for the control port interface in SPI mode.
17	AD0/CS	I	AD0 is a chip address pin in two-wire mode, CS is the chip select signal for SPI format.
18	VLC	I	Control port power.
19	RESET	I	Reset signal input.
20	FILT+	O	Positive reference voltage for the internal sampling circuits.
21	VQ	O	Filter connection for internal quiescent voltage.
22	MUTE234	O	Power down or if the master clock to left/right frequency ratio is incorrect.
23,24	AOUTB4(-,+)	O	Differential analog output for super woofer channel.
25,26	AOUTA4(+,-)	O	Differential analog output for center channel.
27,28	AOUTB3(-,+)	O	Differential analog output for RS channel.
29,30	AOUTA3(+,-)	O	Differential analog output for LS channel.
33,34	AOUTB2(-,+)	O	Differential analog output for FR channel.
35,36	AOUTA2(+,-)	O	Differential analog output for FL channel.
37,38	AOUTB1(-,+)	O	Differential analog output for mix R channel.
39,40	AOUTA1(+,-)	O	Differential analog output for mix L channel.
32	VA	-	Positive power supply for the analog section.
41	MUTE1	O	Mute control output.
42	DSD SCLK	I	Serial clock for the direct stream digital audio interface. (unused).
43	VLS	I	Serial audio interface power.

## CIRCUIT DESCRIPTION

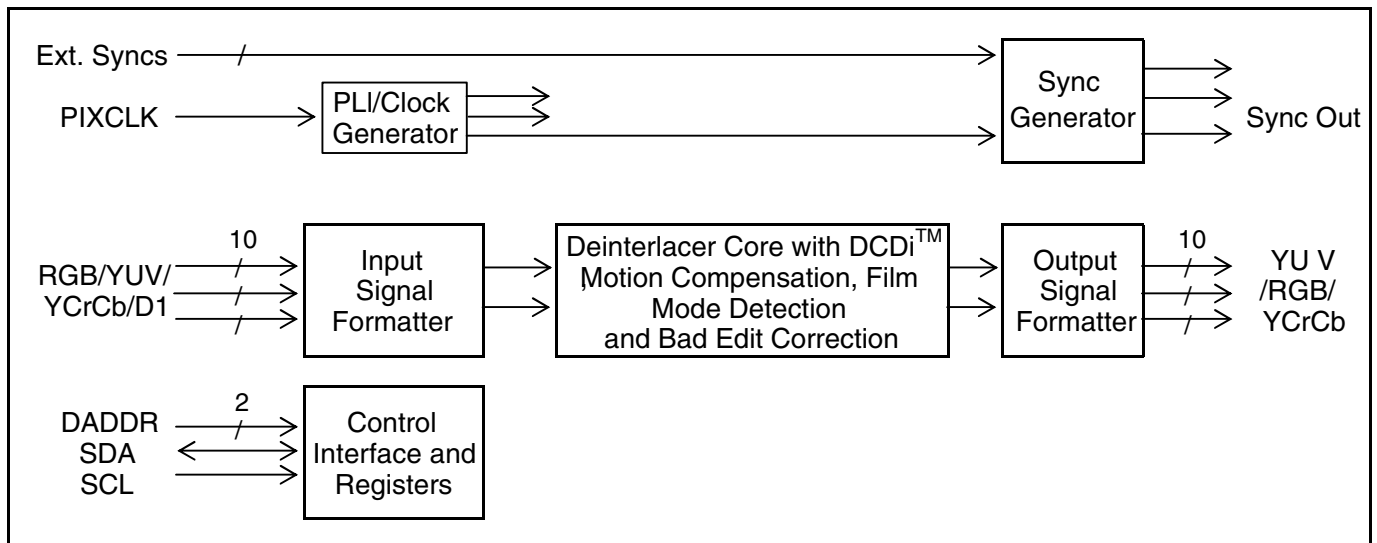
### 3-7 Video Deinterlacer : FLI2200 (VIDEO DEINTERLACER, IC1)

Pin No.	Pin Name	I/O	Pin Description
Test outputs			
112,113	TEST(00, 01)	O	These pins are test outputs and should be left unconnected in normal operation.
Test inputs			
41,50,51,108 109,111	TEST(0~5)	-	These pins are used for test purposes only and should always be tied low for normal operation.
Power Supply Connections(Not shown on Block diagram)			
1,33,63,73,84,95,105, 114,123,137,144,151, 167	VDD33	-	Pad Ring digital power connections. Connect to the digital +3.3 volt power supply and decouple to the digital ground plane.
2,17,34,55,64,74,85, 96,106,115,124,132, 138,145,152,159,168	VSS	-	Ground connections. Connect to the digital ground plane.
43	AVSS	-	Ground connection for the clock PLL circuits. Connect to the digital ground plane.
16,54,107,158	AVDD25	-	Core Logic digital power connections. Connect to the digital +2.5 volt power supply and decouple to the digital ground plane.
42	AVDD	-	Analog power connections for the clock PL Lcircuit. Connect to a separately decoupled +2.5 volt power supply and decouple directly to the AVSS pin.
Control Signals			
49	RESETB	I	Reset. When this input is set low it will reset all the internal registers to the default states.
53	OE	O	When this pin is set high the outputs of the FL12200 will be enabled ; when it is set low the outputs will be set into a high-impedance state.
56~58	IFORMAT(2~0)	I	Input signal format control.
59~61	OFORMAT(2~0)	O	Output signal format control.
44,45	DADDR(1,0)	-	The settings of DADDR(1,0) allow the device address of the control bus to be programmed to prevent conflict with the other devices connected to the bus.
46	MODE	-	When this pin is set low the control bus will operate in the slave mode; allowing the device to programmed from an external controller.
47	SDA	I/O	2-wire serial control bus data.
48	SCL	I	2-wire serial control bus clock.
40	PIXCLK	I	Pixel clock input. This clock is used to drive all the circuits in the FL12200.
62	N/P/IN/OUT	I/O	NTSC/PAL input or output.
Control Signals(contd.)			
52	NOMEM	I	No memory mode control input.
Input Signals			
18~27	G/YIN(0~9)	I	10-bit green or luminance signal input bus.
6~15	B/CbIN(0~9)	I	10-bit blue or Cb chroma signal input bus.
28~32 35~39	R/CrIN(0~4) R/CrIN(5~9)	I	10-bit red or Cr chroma signal input bus.
3	HSYNCREFI	I	Horizontal sync or reference.
4	VSYNCREFI	I	Vertical sync or reference.
5	FIELDIN	I	Field identifier input.
Output Signals			
65~72 75,76	G/YOUT(2~9) G/YOUT0,1	O	Green or luminance output bus.
93,94 97~104	B/CbOUT8,9 B/CbOUT(0~7)	O	Blue or Cb chrominance output bus.

## CIRCUIT DESCRIPTION

Pin No.	Pin Name	I/O	Pin Description
77~83 86~88	R/CrOUT(3~9) R/CrOUT(0~2)	O	Red or Cr chrominance output bus.
116	CCLKO	O	Chroma output sampling clock.
117	YCLKO	O	Luma output sampling clock.
89	VREFO	-	Start of active field or frame indicator.
90	HREFO	O	Start of active line indicator output.
91	VSYNC/CREFO	O	Vertical sync output. This signal provides the vertical sync function for the outputs.
92	H/CSYNCO	O	Horizontal or composite sync output. This signal provides the horizontal sync function for the outputs.
110	FILM	O	Film mode detector output.
SDRAM Interface Signals			
125~131 133~136	ADDR(4~10) ADDR(0~3)	-	SDRAM address bus. This signal bus is used to address the external SDARM(s) used for field memories.
139~143,146~150 153~157,160~166 169~176	DATA(0~4, 5~9,10~14, 15~21,22~29)	-	SDRAM data bus. This signal bus is used to transfer the data to and from the external SDRAM(s) used for field memories.
118	MEMCLKO	O	SDRAM clock and 2x output sampling clock.
119	WEN	-	SDRAM write enable. This active low signal should be connected to the WE pin(s) on the SDRAM(s).
120	RASN	-	SDRAM row address select. This active low signal should be connected to the RAS pin(s) on the SDRAM(s).
121	CASN	-	SDRAM column address select. This active low signal should be connected to the CAS pin(s) on the SDRAM(s).
122	BSEL	-	SDRAM bank select.

### • Simplified Block Diagram



## CIRCUIT DESCRIPTION

### 3-8 Video Encoder /DAC : ADV7196 (VIDEO DEINTERLACER, IC3)

Pin No.	Pin Name	I/O	Pin Description
1,12	VDD	-	Digital supply voltage (+3.3V).
2~11	Y(0~9)	I	10-bit progressive scan / HDTV input port for Y data. Input for G data when RGB data is input.
13,52	GND	-	Digital ground.
14~23	CR (0~9)	I	10-bit progressive scan / HDTV input port for color data in 4:4:4 input mode. In 4:2:2 mode this input port is not used. Input port for R data when RGB data is input.
24,35	VAA	-	Analog supply voltage (+3.3v).
25	CLKIN	I	Pixel clock input.
26,33	AGND	-	Analog ground.
27	DV/CLKOUT	I/O	Video blanking control signal input or clock output signal.
28	VSYNC	I	Vertical sync control signal input or TSYNC input control signal in async timing mode.
29	HSYNC	I	Horizontal sync control signal input or SYNC input control signal in async timing mode.
30	SCL	I	Serial interface clock input.
31	SDA	I/O	Serial data input/output.
32	CB OUT	O	Color component analog output of input data on Cb/Cr (9~0) input pins.
34	Y OUT	O	Y analog output.
36	CR OUT	O	Color component analog output of input data on Cr (0~9) input pins.
37	COMP	O	Compensation pin for DACs.
38	RSET	I	This pin is used to control the amplitudes of the DAC outputs.
39	VREF	I/O	Voltage reference input for DACs or voltage reference output.
40	RESET	I	This input resets the on-chip timing generator and sets the ADV7196A into default register setting.
41	ALSB	I	This signal sets up the LSB of the MPU address.
42~51	CB (9~0)	I	10-bit progressive scan / HDTV input port for color data. In 4:2:2 mode the multiplexed Cr Cb data must be input on these pins. Input port for B data when RGB is input.

### 3-9 AV Decoder : MN677531KA (DVD AUDIO BACK END, IC30)

Pin No.	Pin Name	I/O	Pin Description
1,11,25,48,61,68,85, 93,105,141,156,160, 166, 172,179,188, 197,205	VDD	-	Digital supply voltage (+3.3V).
2~4,6~8,10,201 203,204,206,207	MA0~MA11	O	SDRAM address 0~11
5,16,37,57,77,99,146, 174,184,191,202	LVDD	-	Digital supply voltage (+1.8V) for internal logic.
9,20,31,43,53,64,72, 82,89,104,135,151, 157,163,169,176,182, 186,194,200,208	VSS	-	Digital ground.
12	HMD	I	Select signal from DVD microcomputer.
13	XRST	I	System reset input. <span style="float: right;">L : Reset</span>
14	ERRMON	O	Error monitor.
15	REF	O	Repeat flag *first signal.
17	XHINT	O	Interruption to DVD microcomputer. <span style="float: right;">L : Active</span>
18	XHINT2	O	Interruption to DVD microcomputer. <span style="float: right;">L : Active</span>
19	XDK	O	Acknowledgment to DVD microcomputer. <span style="float: right;">L : Active</span>
21	XWRH	I	Write enable from DVD microcomputer.
22	XWR	I	Write enable from DVD microcomputer.
23	XRD	I	Read enable from DVD microcomputer.
24	XCS	I	Chip select from DVD microcomputer.
26	HCLK	I	Clock input from DVD microcomputer.
27~30,32~36, 38~42,44~46	HA1~HA17	I	Address input from DVD microcomputer.



## CIRCUIT DESCRIPTION

Pin No.	Pin Name	I/O	Pin Description
47,49~52,54~56 58~60,62,63,65~67	HD0~HD15	I/O	DVD microcomputer data bus 0~15.
69	AUDSTR	I	Valid signal of bit stream input data.
70	VSTR	I	Clock signal input for bit stream.
71	VRQ	O	Request of program stream.
73~76,78~81	STD7~STD0	I	Bit stream parallel input 0~7.
83	IECOUT	O	IEC958 format data output.
84	DMIX	O	Down mix signal output (CH7/CH8).
86	DACCK	O	Over sampling DAC clock output.
87	LRCK	O	LR clock output.
88	SRCK	O	Bit clock output.
90~92	ADOUT(0~2)	O	Audio data output (0~2).
94	CLK121	I	External clock (121.5MHz) input. (Unused)
95	CKIO	I	"L" : Fixed
96	CLK27	I	System clock input (27MHz).
97	PLLVDD	-	Supply voltage (+1.8V) of internal logic for main PLL.
98	CLK81	-	Connected to digital ground.
100	EXTCK	I	Clock input for audio.
101	PLLAVDD	-	Main PLL supply voltage (+3.3V).
102	TCPOUT	O	Unused.
103	PLLAVSS	-	Ground for main PLL.
106	PHCOPMO	O	Audio PLL phase comparison output.
107	APLLVDD	-	Supply voltage (+1.8V) of internal logic for Audio PLL.
108	ACKIO	I	"L" : Fixed
109	MODE121	I	Switching port for SDRAM clock frequency.
110	DCTEST	I	DC test mode terminal.
111	APLLAVSS	-	Ground for audio PLL.
112	APLLAVDD	-	Supply voltage (+3.3V) for Audio PLL.
113	VREFCR	I	DAC reference voltage input for CR signal.
114	IREFCR	I	DAC bias current setting port for CR signal.
115	COMPCR	I	Capacitance connection for DAC (CR signal) stabilization.
116	VCROUT	O	CR signal output for DAC.
117,127	AVDD	-	Analog supply voltage (+3.3V) for DAC.
118	VREFC	I	DAC reference voltage input for C signal.
119	IREFC	I	DAC bias current setting port for C signal.
120	COMPC	I	Capacitance connection for DAC stabilization.
121	VCOUT	O	C signal output for DAC.
122,132	AVSS	-	Analog ground for DAC.
123	VREFCB	I	DAC reference voltage input for CB signal.
124	IREFCB	I	DAC bias current setting port for CB signal.
125	COMPCB	I	Capacitance connection for DAC (CB signal) stabilization.
126	VCBOUT	O	CB signal output for DAC.
128	VREFY	I	DAC reference voltage input for Y signal.
129	IREFY	I	DAC bias current setting port for Y signal.
130	COMPY	I	Capacitance connection for DAC (Y signal) stabilization.
131	VYOUT	O	Y signal output for DAC.
133,134	TESTSEL1,0	I	Test mode terminal. L : Fixed
136	VCLK	O	Clock output for digital video data output.
137~140,142,143	REC(7~2)	I/O	REC656 input (7~2).
144	REC1 XVSYNCO	I/O	REC656 input 1. Vertical synchronizing signal input/output.
145	REC0 XHSYNCO	I/O	REC656 input 0. Horizontal synchronizing signal input/output.
147~150,152~155	VD0~VD7	O	Digital video data output (0~7).

## CIRCUIT DESCRIPTION

Pin No.	Pin Name	I/O	Pin Description
158,159,161,162,164 165,167,168,170,171 173,175,177,178,180 181	MDQ0~MDQ15	I/O	SDRAM data bus (0~15).
183	MCKI	I	Clock input from SDRAM.
185	MCK	O	Clock output to SDRAM.
187	DQMLE	O	Lower bite data, mask signal of expander SDRAM.
189	DQMLM	O	Lower bite data, mask signal of main SDRAM.
190	DQMUE	O	Upper bite data, mask signal of expander SDRAM.
192	DQMUM	O	Upper bite data, mask signal of main SDRAM.
193	XWE	O	Write enable signal of SDRAM.
195	XCAS	O	CAS signal of SDRAM.
196	XRAS	O	RAS signal of SDRAM.
198	XCSE	O	Chip select signal of expander SDARM.
199	XCSM	O	Chip select signal of main SDARM.

### 3-10 Video Driver : MM1568 (DVD AUDIO BACK END, IC71)

Pin No.	Pin Name	I/O	Pin Description
1,34	VCC1,2	-	VCC
2	CIN	I	Croma input.
3,15	MUTE (1,2)	O	Mute select (Unused).
4,6	VIN, YIN	I	Video input (Composite or Y).
5	YC MIX	-	YC MIX select (GND).
7	BIAS	-	Bias
8,10,17,20, 23,26,29,32	GND	-	GND
9,11	NC	-	Unused.
12	CYIN	I	Luminance input
13	CLP	-	Input clamp select (Unused).
14,16	CbIN, CrIN	I	Component input.
18 21 24 27 30	CrOUT CbOUT CYOUT YOUT VOUT	O	Signal output.
19 22 25 28 31	CrSAG CbSAG CYSAG YSAG VSAG	O	SAG correction.
33	COUT	O	Croma output.

## ADJUSTMENT

### video signal output adjustment

(use disc : 100% COLOR BAR)

order of adjustment	item	output setting	alignment point	alignment for	Fig.
1 (*2)	Y LEVEL	Connect an oscilloscope to Y signal of the S terminal output with 75Ωresistor.	VR30 (DVD AUDIO PCB)	Y_signal = 1000mV p-p ±30mV	Fig.1
2 (*2)	CHROMA LEVEL	Connect an oscilloscope to C signal of the S terminal output with 75Ωresistor.	VR32 (DVD AUDIO PCB)	Burst of Chroma_signal = 286mV p-p ±14mV	Fig.2
3 (*2)	Cb LEVEL	Connect an oscilloscope to Cb signal of the component terminal output with 75Ωresistor.	VR31 (DVD AUDIO PCB)	Cb_signal = 648mV p-p ±14mV	Fig.3
4 (*2)	Cr LEVEL	Connect an oscilloscope to Cr signal of the component terminal output with 75Ωresistor.	VR33 (DVD AUDIO PCB)	Cr_signal = 648mV p-p ±14mV	Fig.4
5 (*3)	YCbCr LEVEL	Connect an oscilloscope to Y signal of the component terminal output with 75Ω resistor.	VR1(Faroudja + ADV7196 PCB)	Y_signal = 1000mV p-p ±30mV	Fig.1

#### Adjustment Procedure

1. To adjust the VR30~VR33, remove "Faroudja + ADV7196 PCB" first.
2. Then adjust VR30, VR32, VR31 and VR33 in regular order.
3. After adjusted then, put a "Faroudja + ADV7196 PCB" back.
4. Adjust a VR1.

\*2: Output mode is interlace.

\*3: Output mode is progressive.

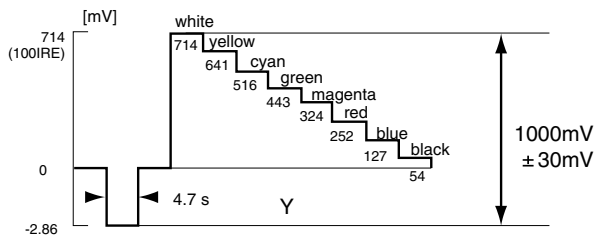


Fig. 1

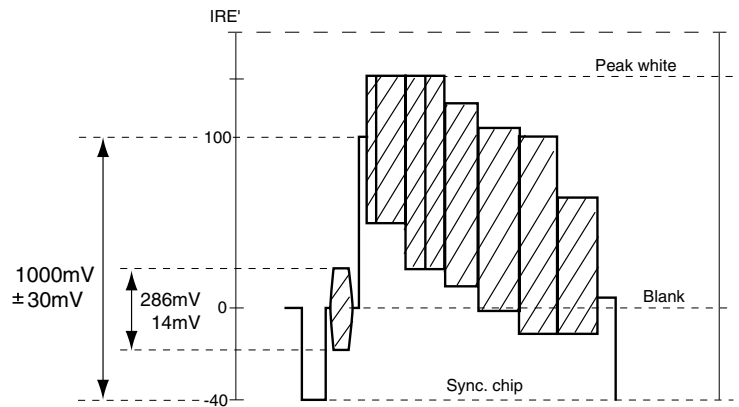


Fig. 2

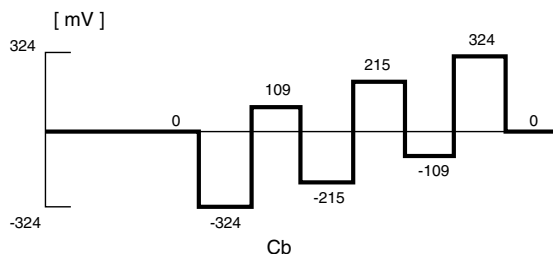


Fig. 3

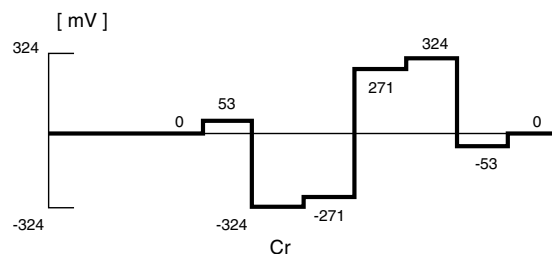
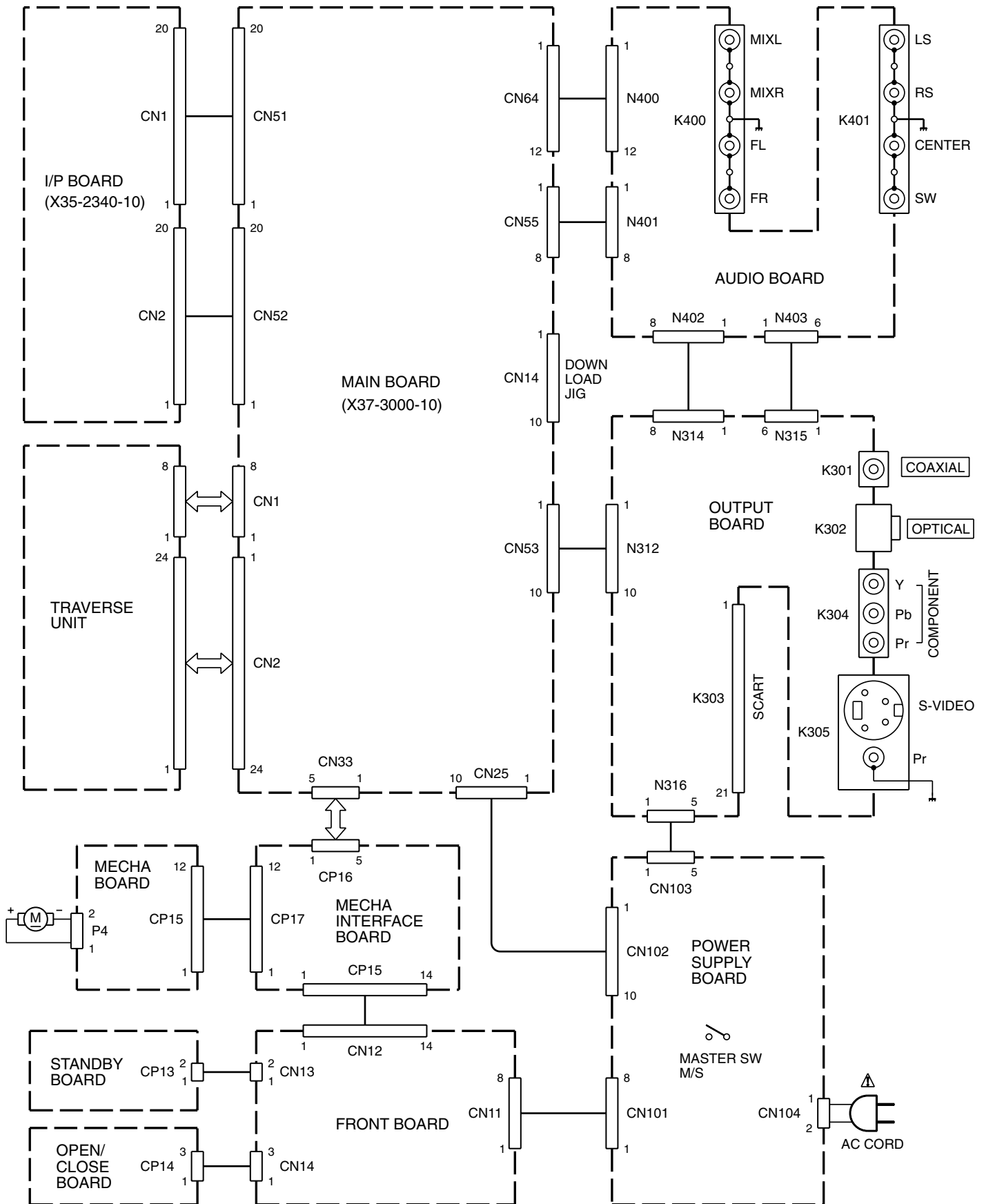


Fig. 4

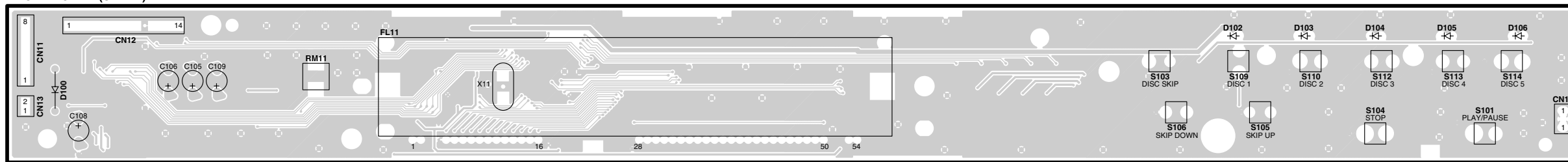
# DV-6050

## INTERCONNECTION DIAGRAM

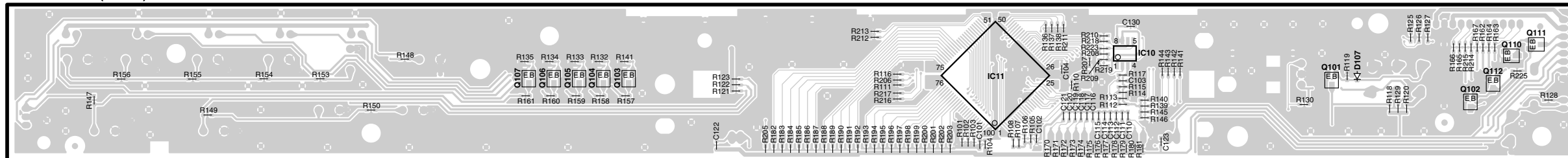


# PC BOARD

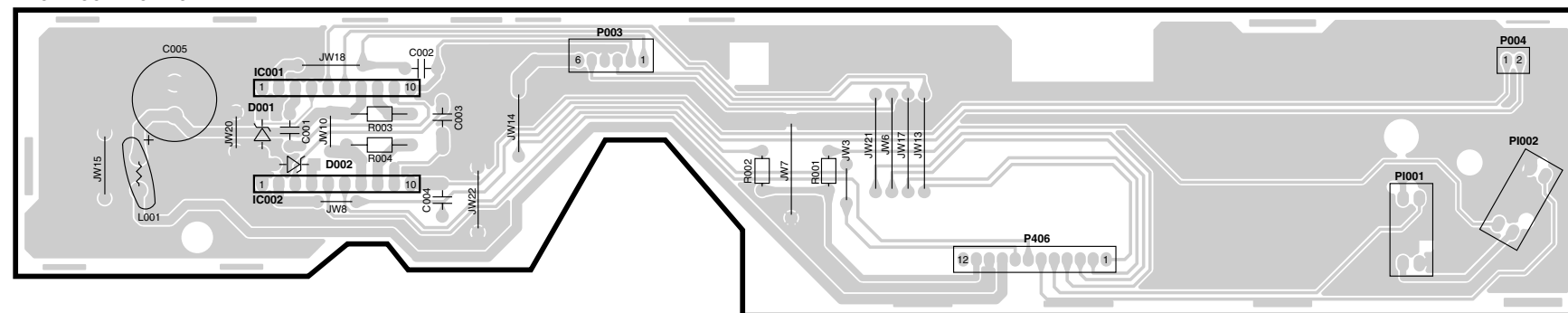
FRONT BOARD (SIDE A)



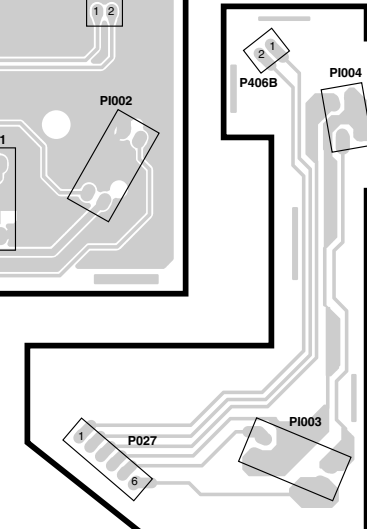
FRONT BOARD (SIDE B)



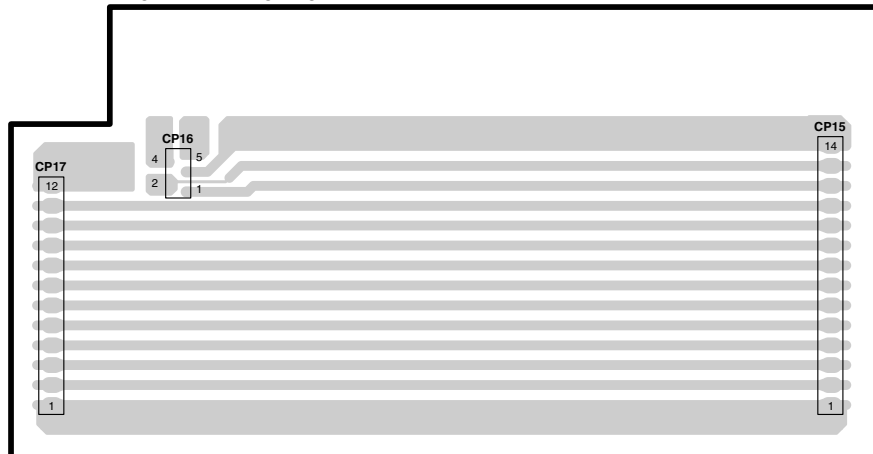
MECHA CONTROL BOARD



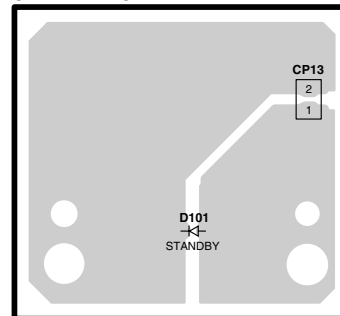
CAROUSEL MOTOR BOARD



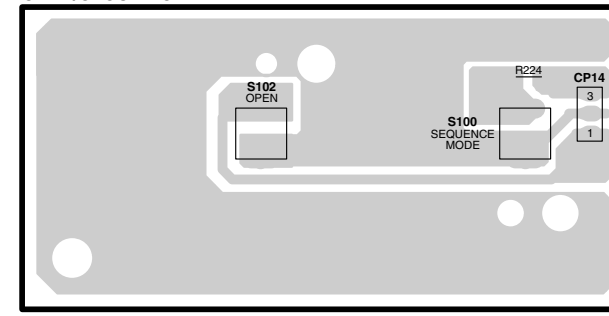
MECHA INTERFACE BOARD



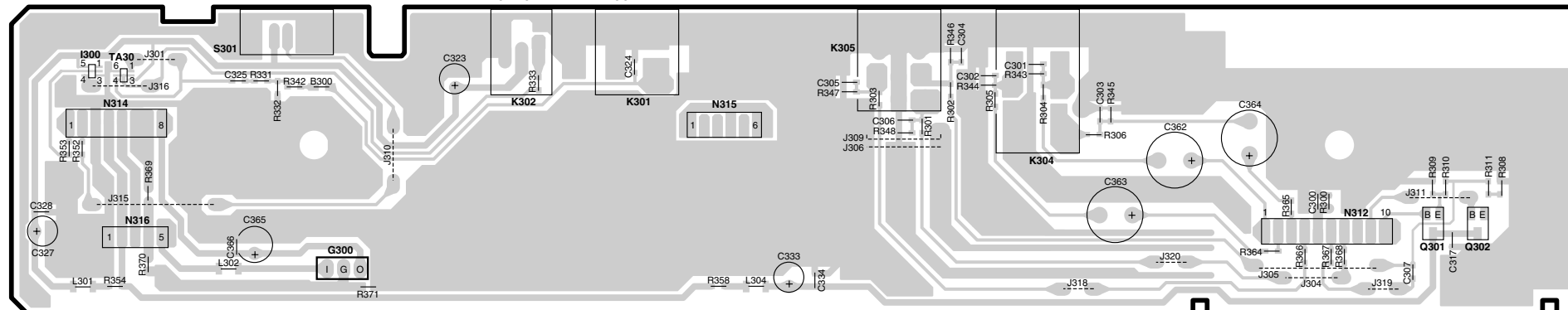
STANDBY BOARD



OPEN/CLOSE BOARD



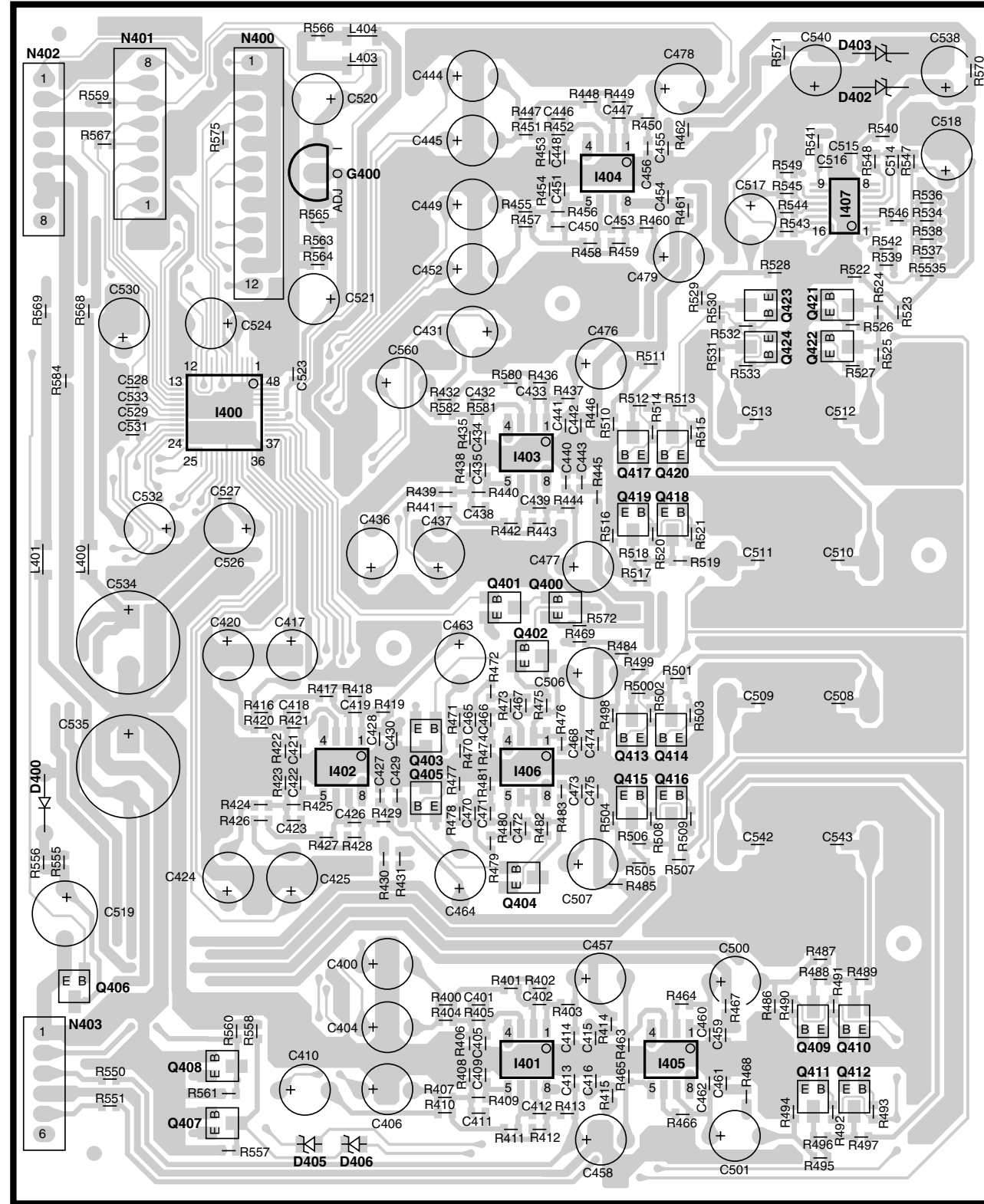
OUTPUT BOARD



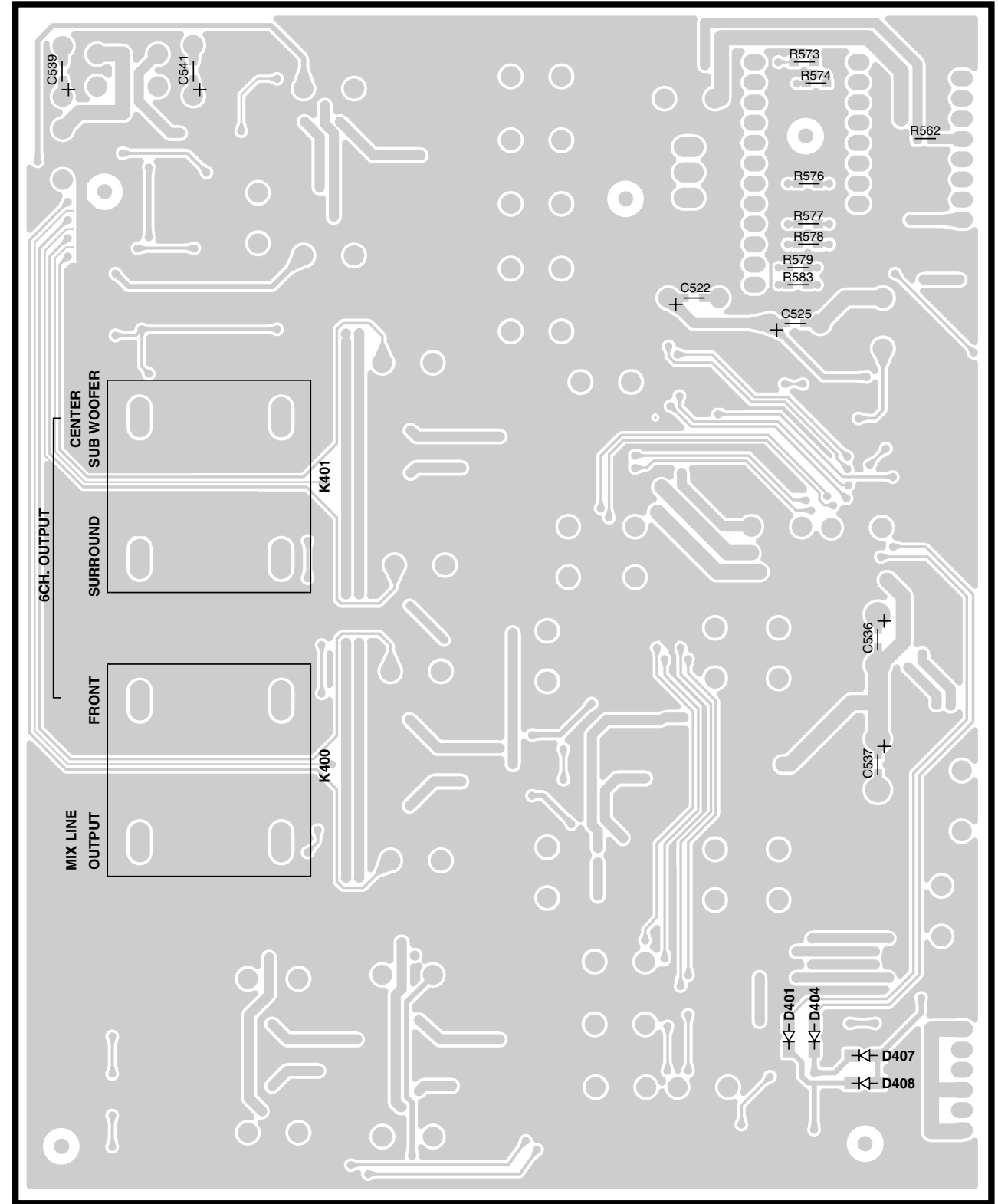
Refer to the schematic diagram for the value of resistors and capacitors.

# PC BOARD

## AUDIO BOARD (SIDE A)

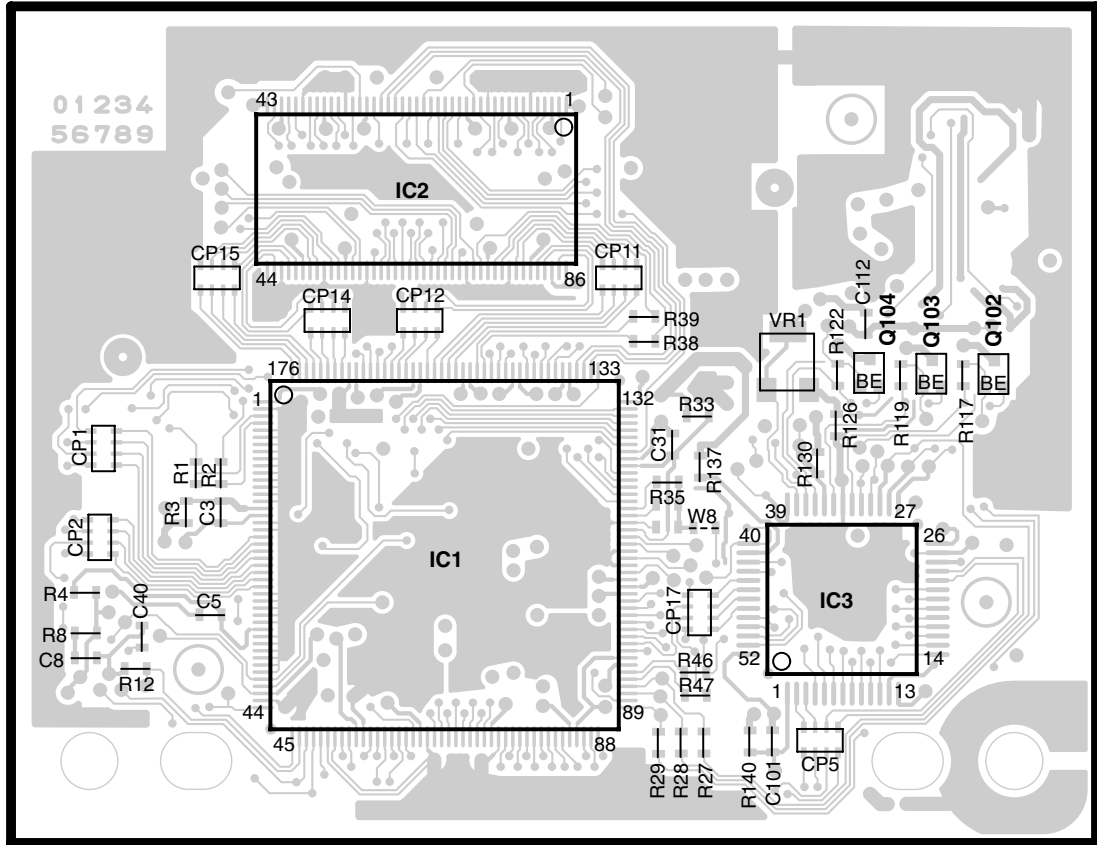


## AUDIO BOARD (SIDE B)

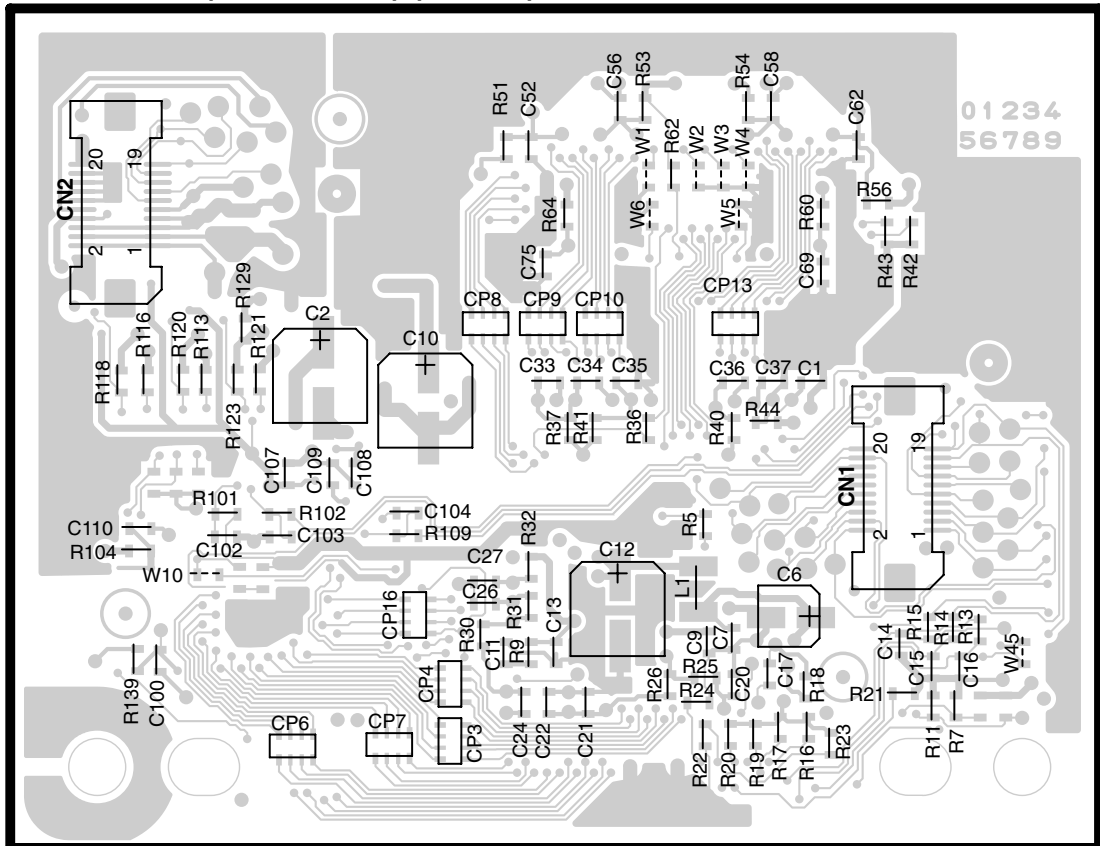


# PC BOARD

## X35-2340-10 (J70-1632-02) (SIDE A)

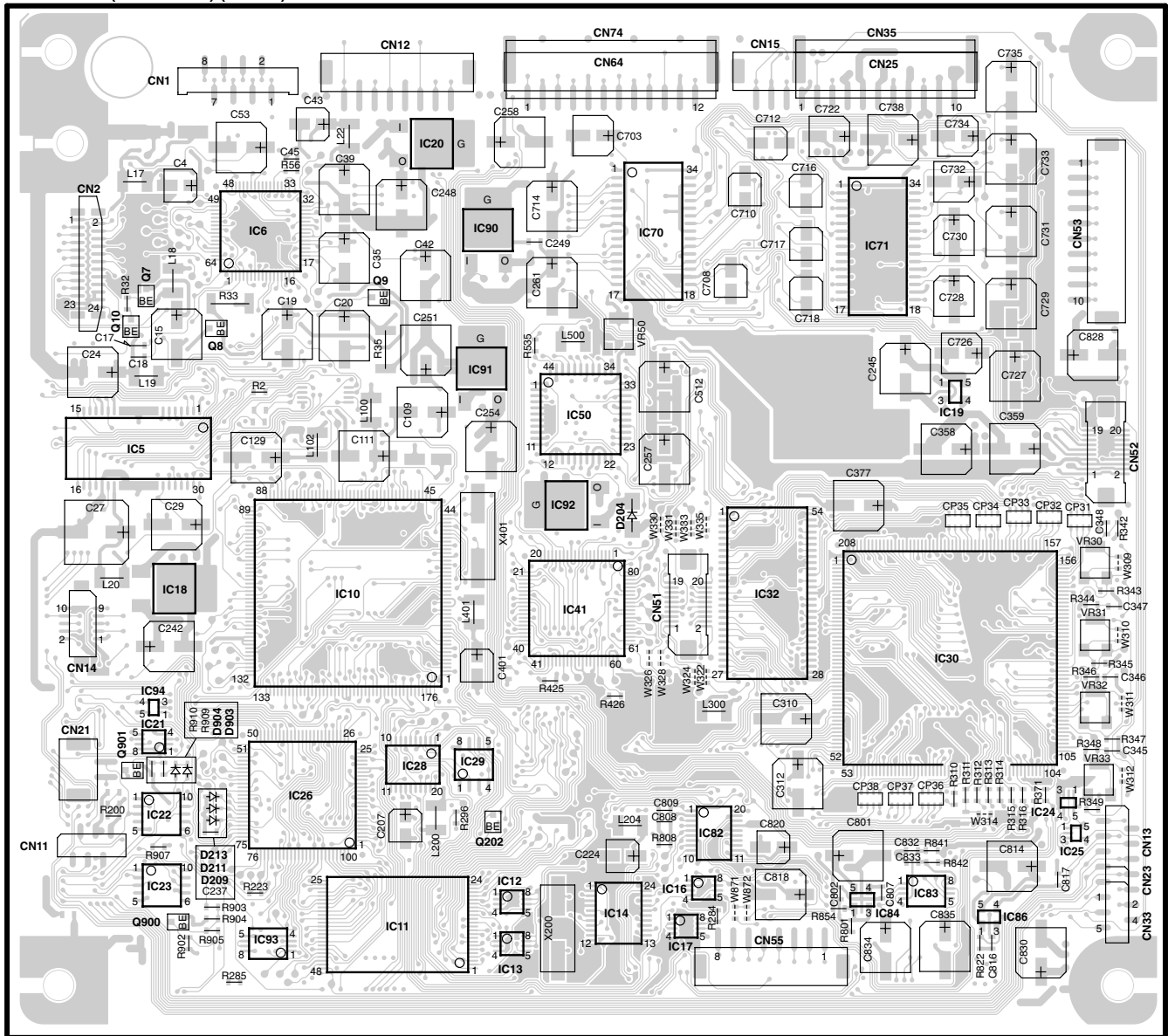


## X35-2340-10 (J70-1632-02) (SIDE B)



# PC BOARD

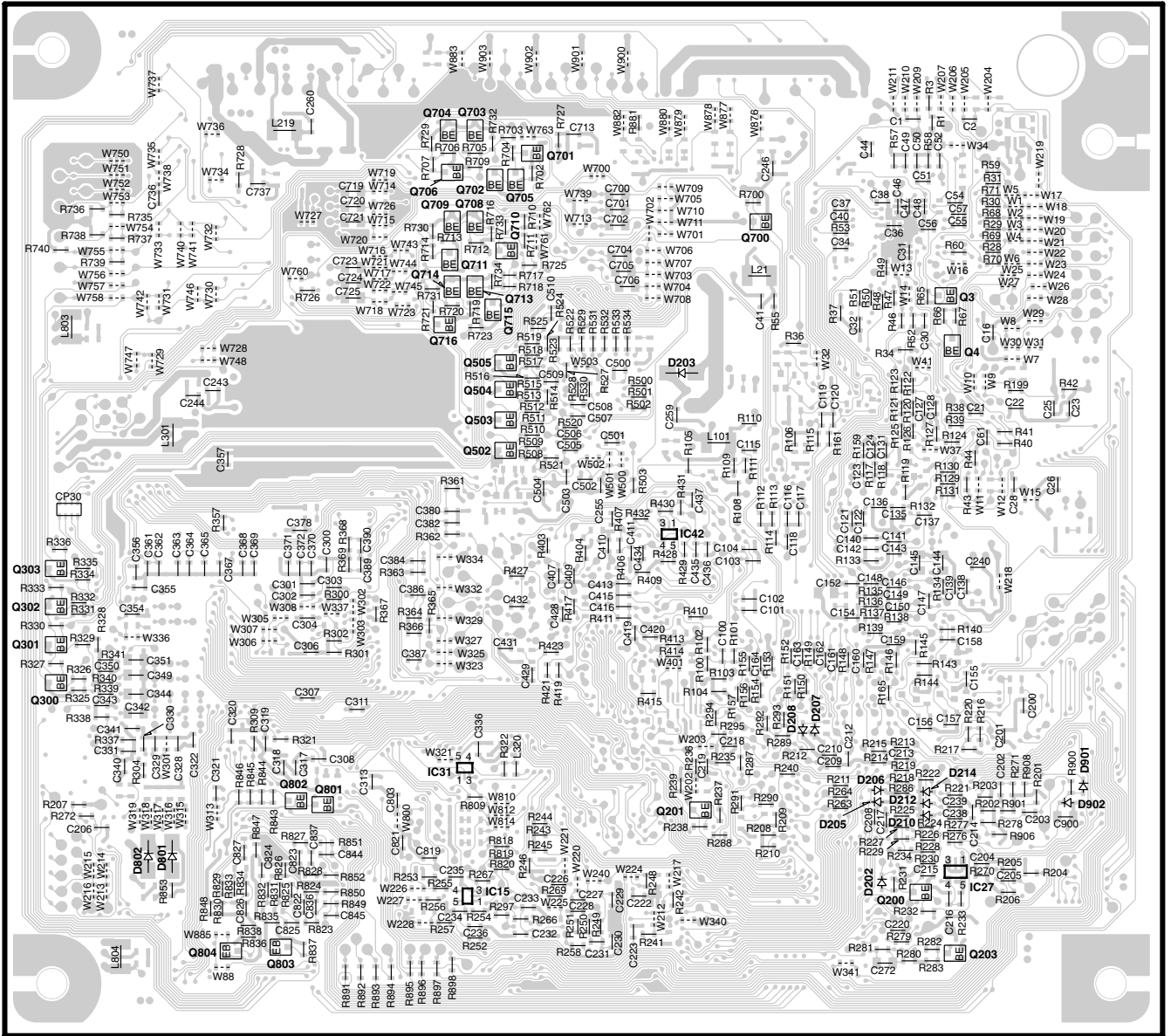
## X37-3000-10 (J70-1611-01) (SIDE A)





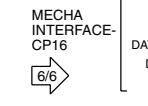
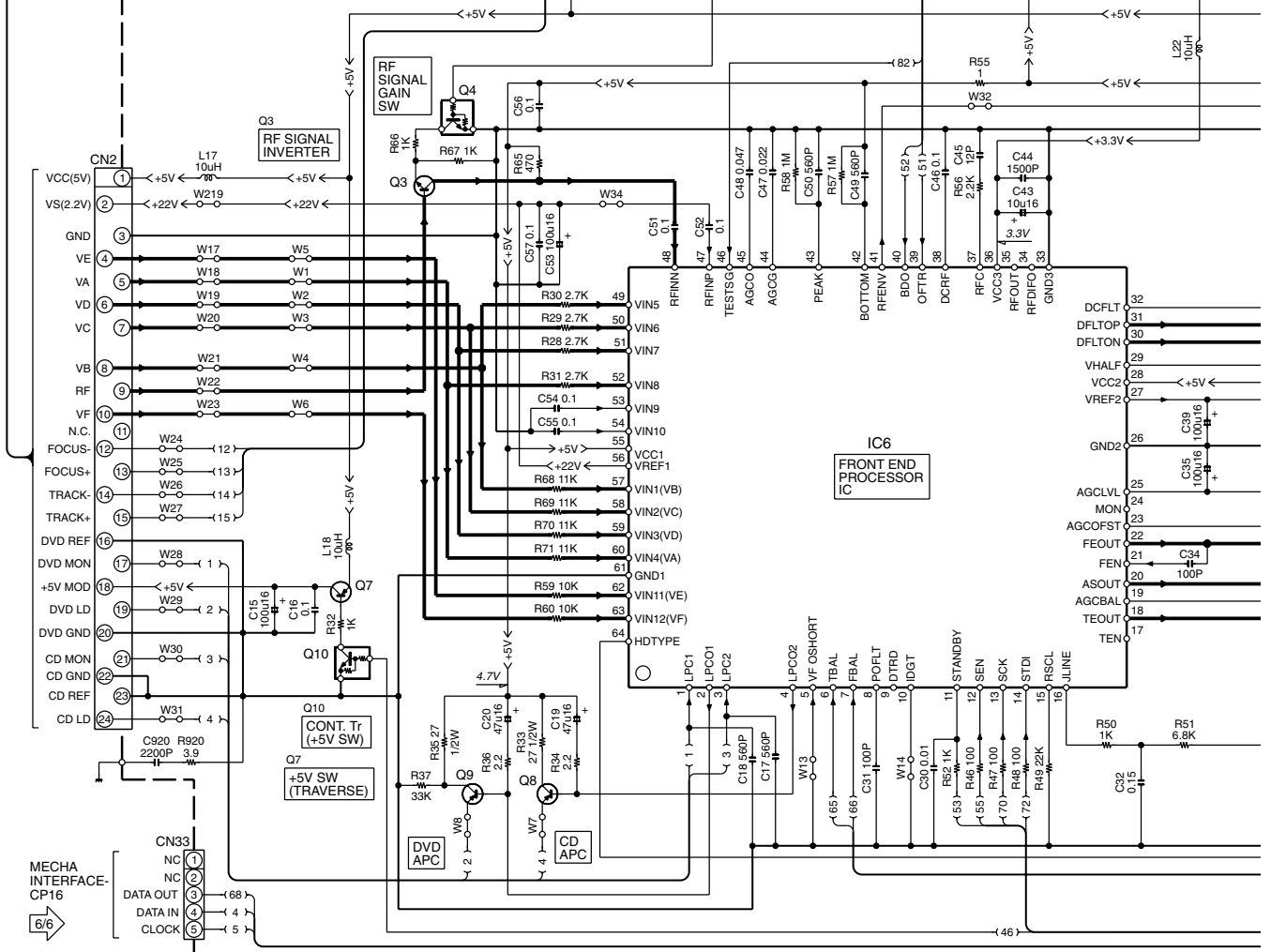
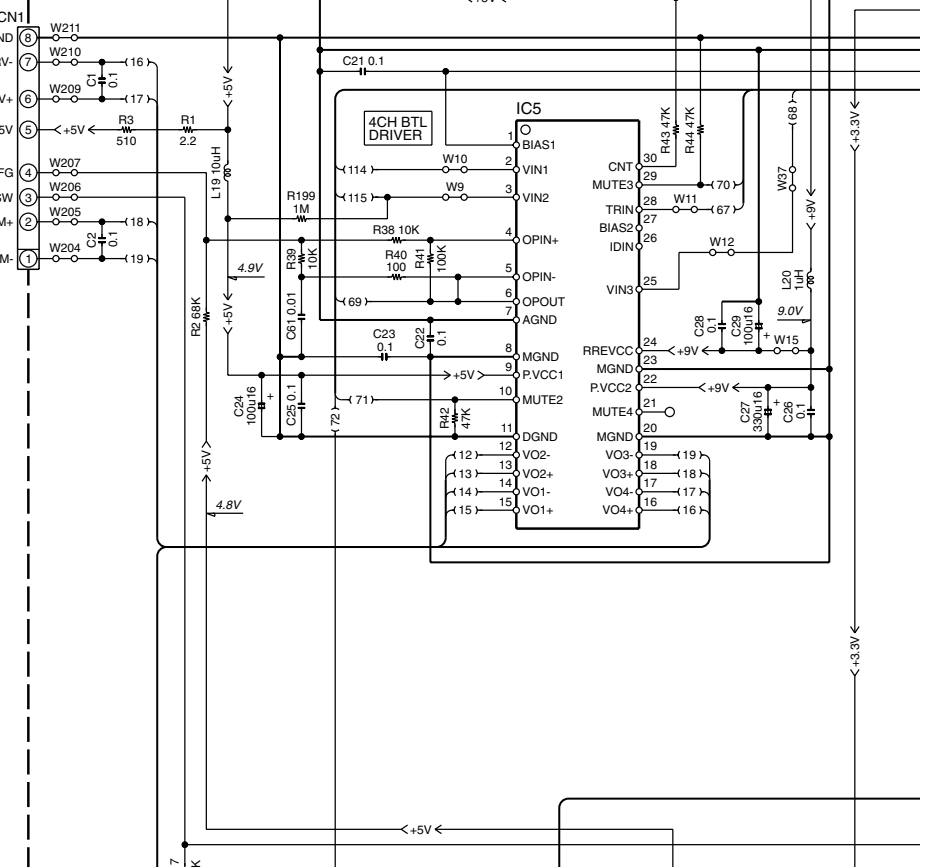
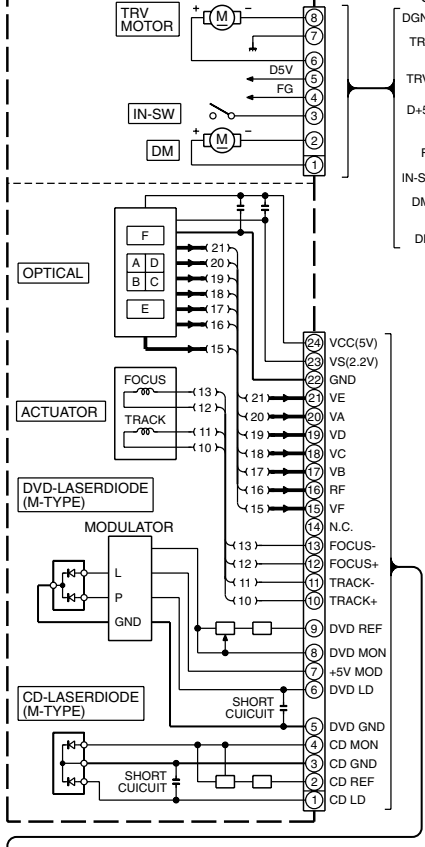
# PC BOARD

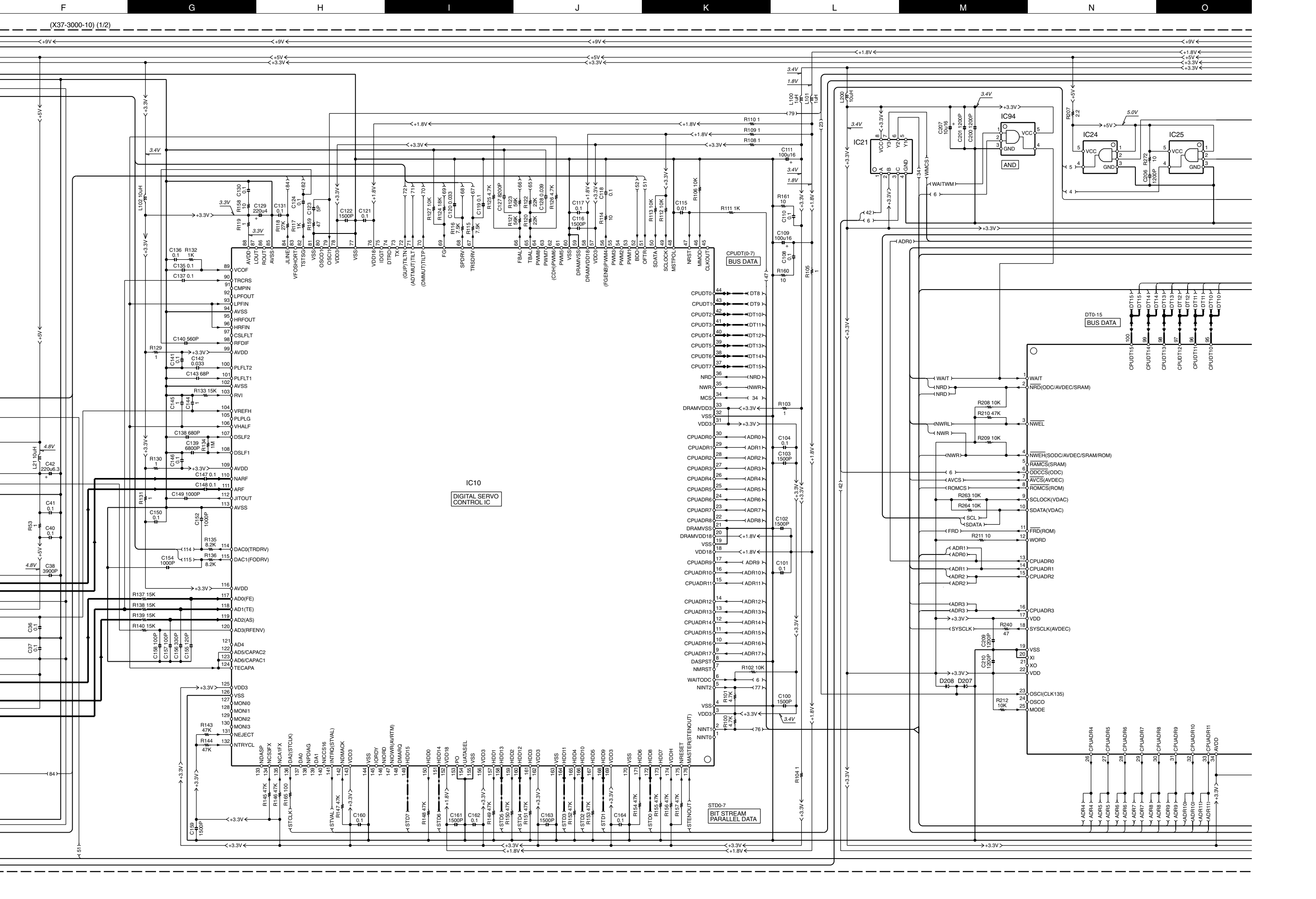
## X37-3000-10 (J70-1611-01) (SIDE B)

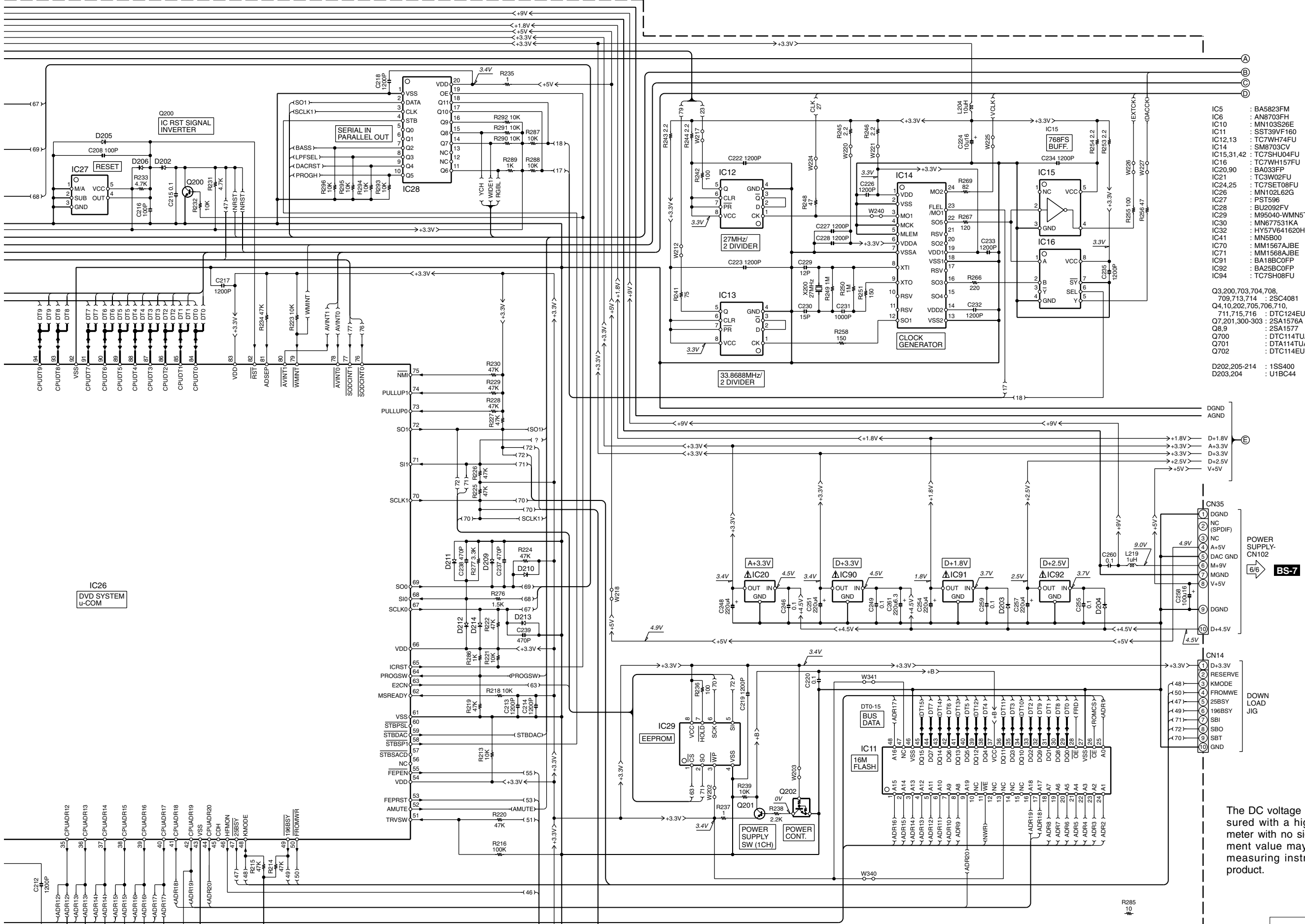


(X37-3000-10) (1/2)

TRAVERSE UNIT







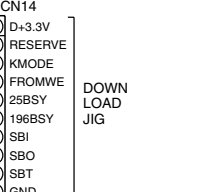
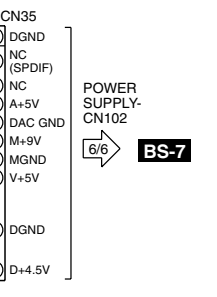
- IC5 : BA5823FM
- IC6 : AN8703FH
- IC10 : MN103S26E
- IC11 : SST39VF160
- IC12,13 : TC7WH74FU
- IC14 : SM8703CV
- IC15,31,42 : TC7SHU04FU
- IC16 : TC7WH157FU
- IC20,90 : BA033FP
- IC21 : TC3W02FU
- IC24,25 : TC7SET08FU
- IC26 : MN102L62G
- IC27 : PS1596
- IC28 : BU2092FV
- IC29 : MN5040-WMN5TR
- IC30 : MN677531KA
- IC32 : HY57V641620HGT
- IC41 : MN5900
- IC70 : MM1567AJBE
- IC71 : MM1568AJBE
- IC91 : BA18BC0FP
- IC92 : BA25BC0FP
- IC94 : TC7SH08FU

- Q3,200,703,704,708,709,713,714 : SSC4081
- Q4,10,202,705,706,710,711,715,716 : DTC124EUA
- Q7,201,300-303 : 2SA1576A
- Q8,9 : 2SA1577
- Q700 : DTC114TUA
- Q701 : DTA114TUA
- Q702 : DTC114EUA

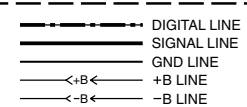
- D202,205-214 : 1SS400
- D203,204 : U1BC44

DGND  
AGND

- D+1.8V
- A+3.3V
- D+3.3V
- D+2.5V
- V+5V



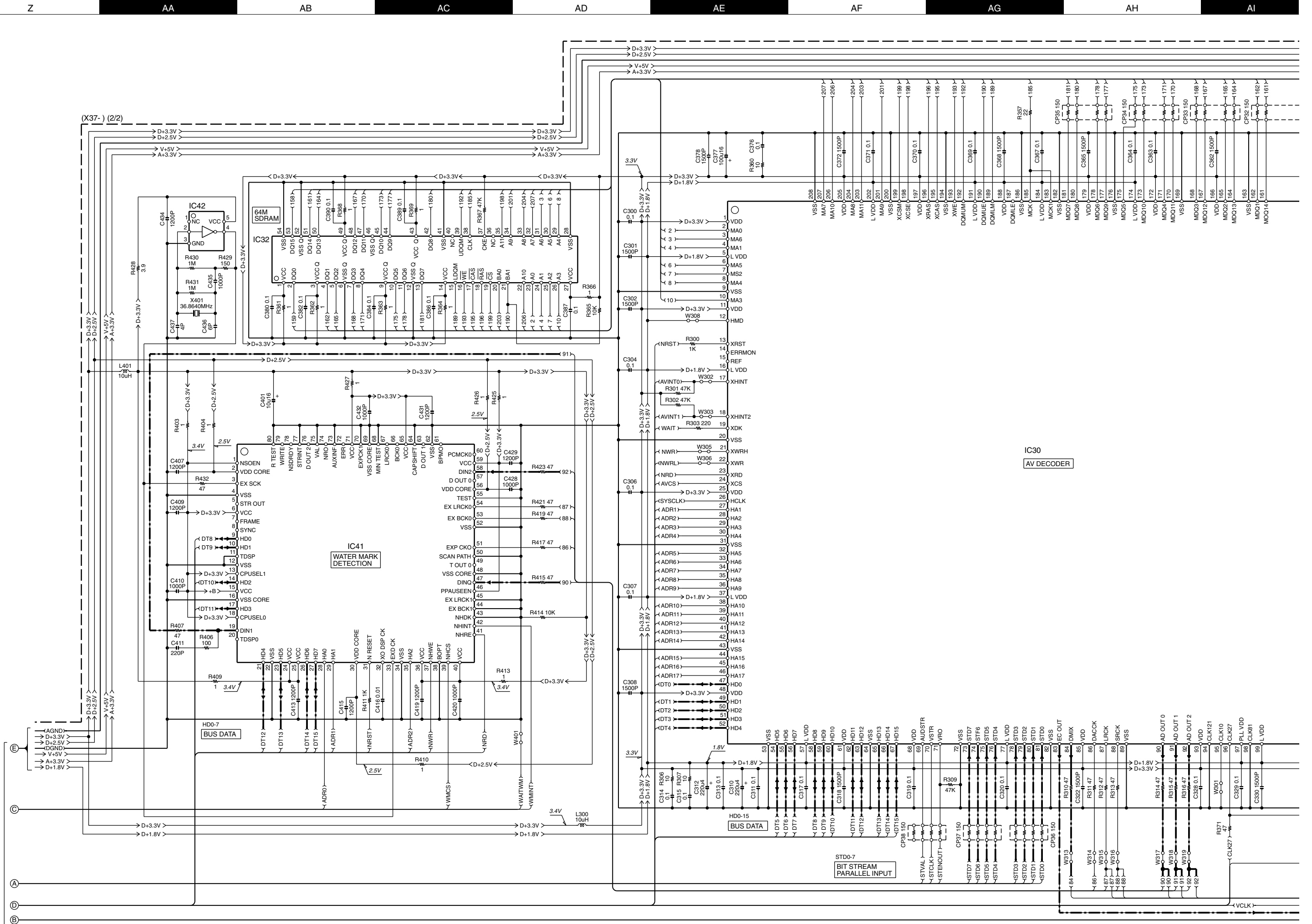
The DC voltage is an actual reading measured with a high impedance type voltmeter with no signal input. The measurement value may vary depending on the measuring instruments used or on the product.



# DV-6050

KENWOOD

**CAUTION:** For continued safety, replace safety critical components only with manufacturer's recommended parts (refer to parts list).  $\Delta$  indicates safety critical components. For continued protection against risk of fire, replace only with same type and rating fuse(s). To reduce the risk of electric shock, leakage-current or resistance measurements shall be carried out (exposed parts are acceptably insulated from the supply circuit) before the appliance is returned to the customer.



(X37-) (2/2)

X37- (1/2)

1/6

IC30  
AV DECODER

STD0-7  
BIT STREAM  
PARALLEL INPUT

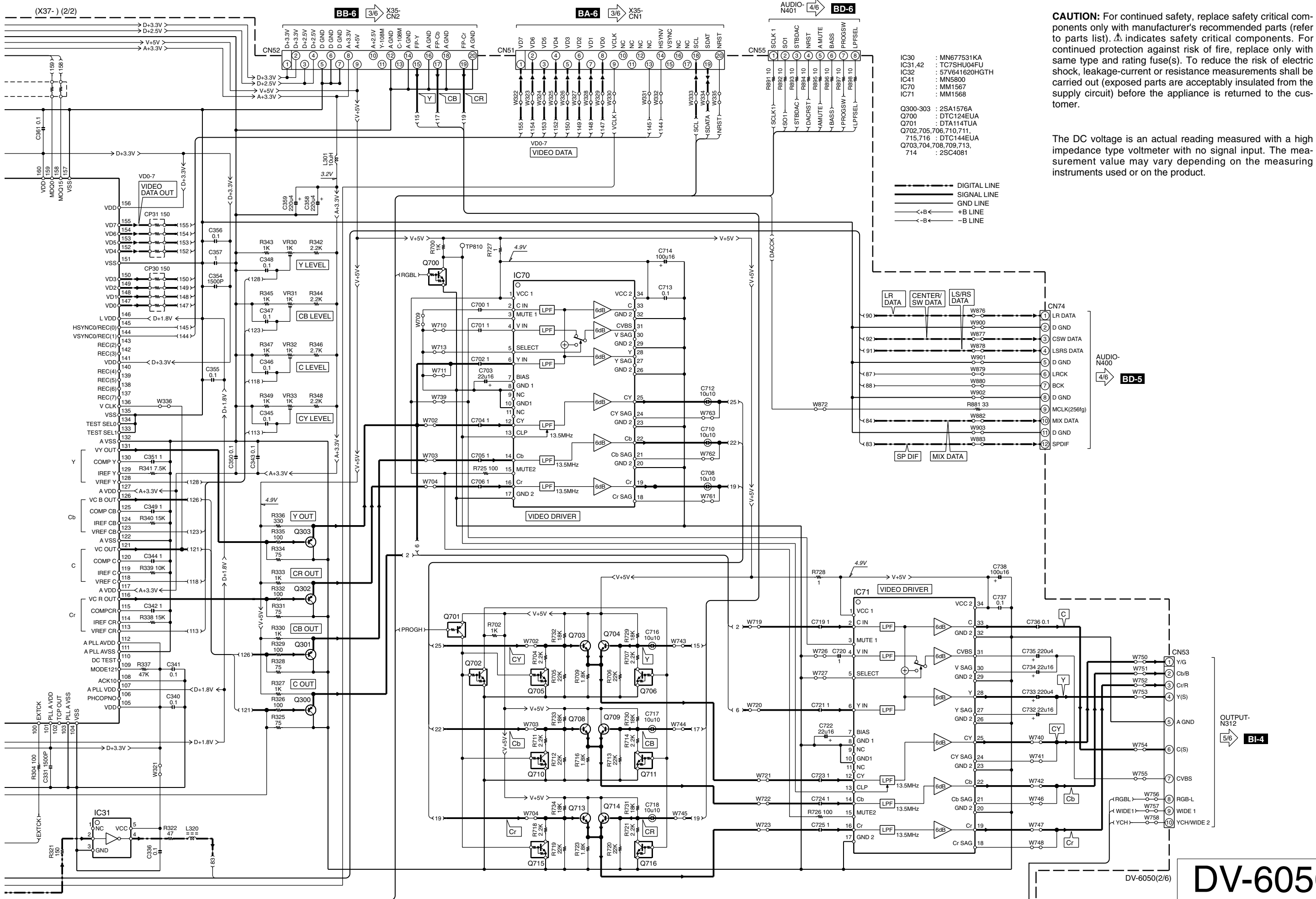
IC41  
WATER MARK  
DETECTION

IC32  
64M  
SDRAM

IC42  
CNC

Z  
AA  
AB  
AC  
AD  
AE  
AF  
AG  
AH  
AI

1  
2  
3  
4  
5  
6  
7



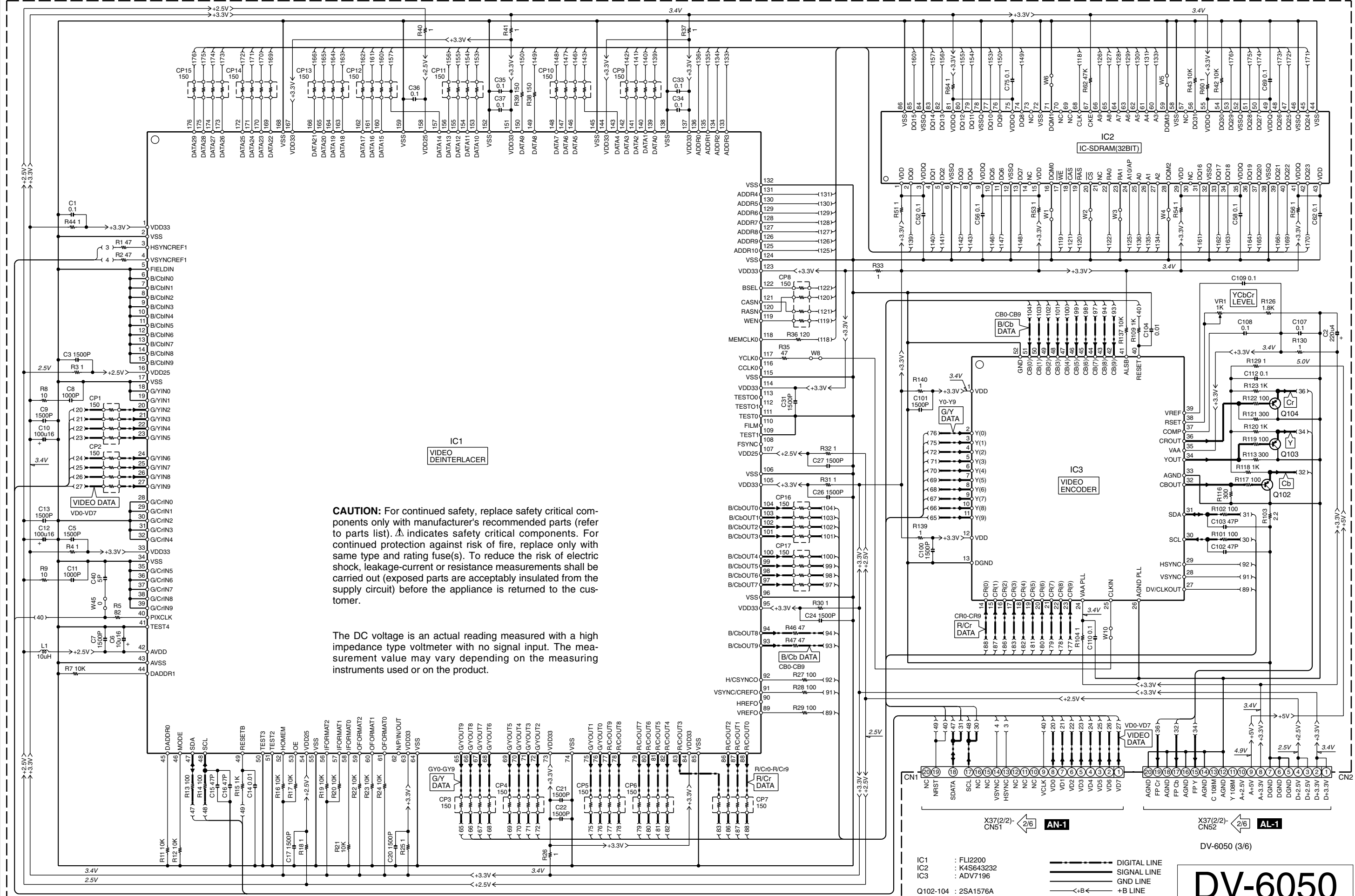
**CAUTION:** For continued safety, replace safety critical components only with manufacturer's recommended parts (refer to parts list).  $\Delta$  indicates safety critical components. For continued protection against risk of fire, replace only with same type and rating fuse(s). To reduce the risk of electric shock, leakage-current or resistance measurements shall be carried out (exposed parts are acceptably insulated from the supply circuit) before the appliance is returned to the customer.

The DC voltage is an actual reading measured with a high impedance type voltmeter with no signal input. The measurement value may vary depending on the measuring instruments used or on the product.

**DV-6050**  
KENWOOD

Y22-8720-10

DV-6050(2/6)



**CAUTION:** For continued safety, replace safety critical components only with manufacturer's recommended parts (refer to parts list).  $\Delta$  indicates safety critical components. For continued protection against risk of fire, replace only with same type and rating fuse(s). To reduce the risk of electric shock, leakage-current or resistance measurements shall be carried out (exposed parts are acceptably insulated from the supply circuit) before the appliance is returned to the customer.

The DC voltage is an actual reading measured with a high impedance type voltmeter with no signal input. The measurement value may vary depending on the measuring instruments used or on the product.

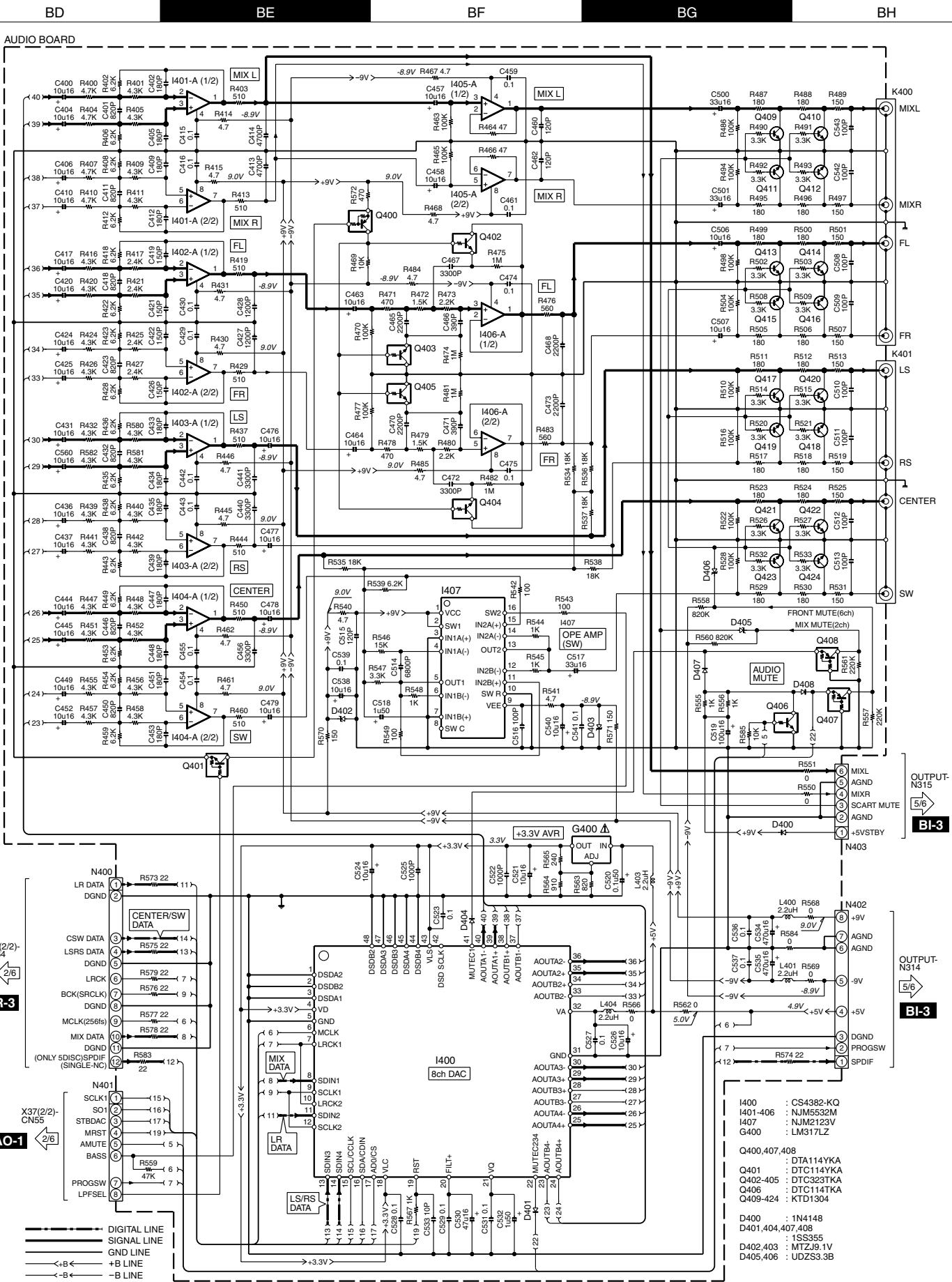
- IC1 : FLI2200
- IC2 : K4S643232
- IC3 : ADV7196
- Q102-104 : 2SA1576A



X37(2/2)-CN51  $\Delta$  AN-1  
 X37(2/2)-CN52  $\Delta$  AL-1  
 DV-6050 (3/6)

**DV-6050**

**KENWOOD**



**CAUTION:** For continued safety, replace safety critical components only with manufacturer's recommended parts (refer to parts list).  $\Delta$  indicates safety critical components. For continued protection against risk of fire, replace only with same type and rating fuse(s). To reduce the risk of electric shock, leakage-current or resistance measurements shall be carried out (exposed parts are acceptably insulated from the supply circuit) before the appliance is returned to the customer.

The DC voltage is an actual reading measured with a high impedance type voltmeter with no signal input. The measurement value may vary depending on the measuring instruments used or on the product.

DV-6050 (4/6)

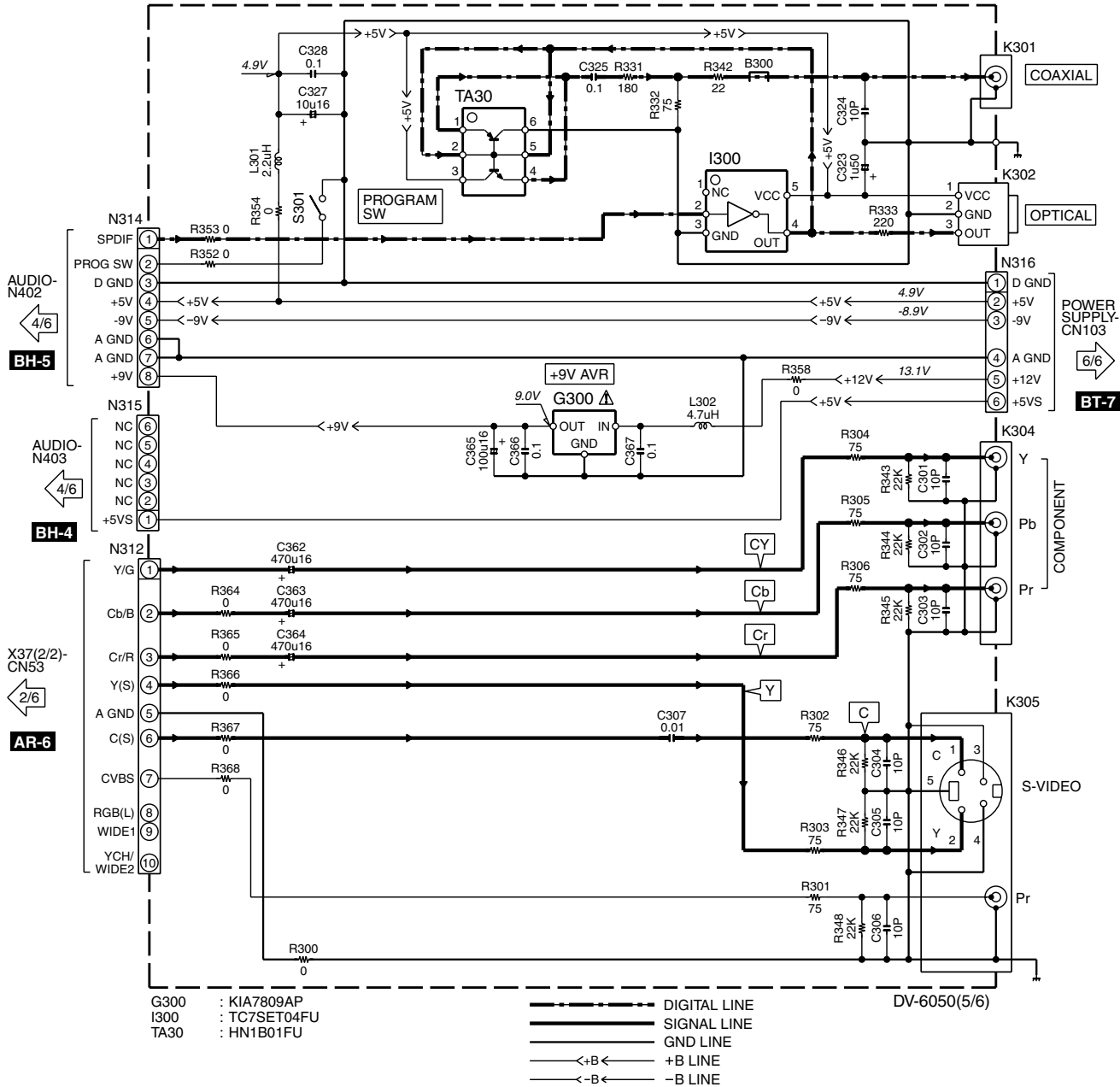
**DV-6050**

Y22-8720-10

**KENWOOD**



OUTPUT BOARD



G300 : KIA7809AP  
 I300 : TC7SET04FU  
 TA30 : HN1B01FU

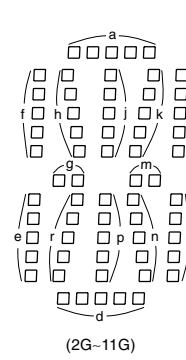
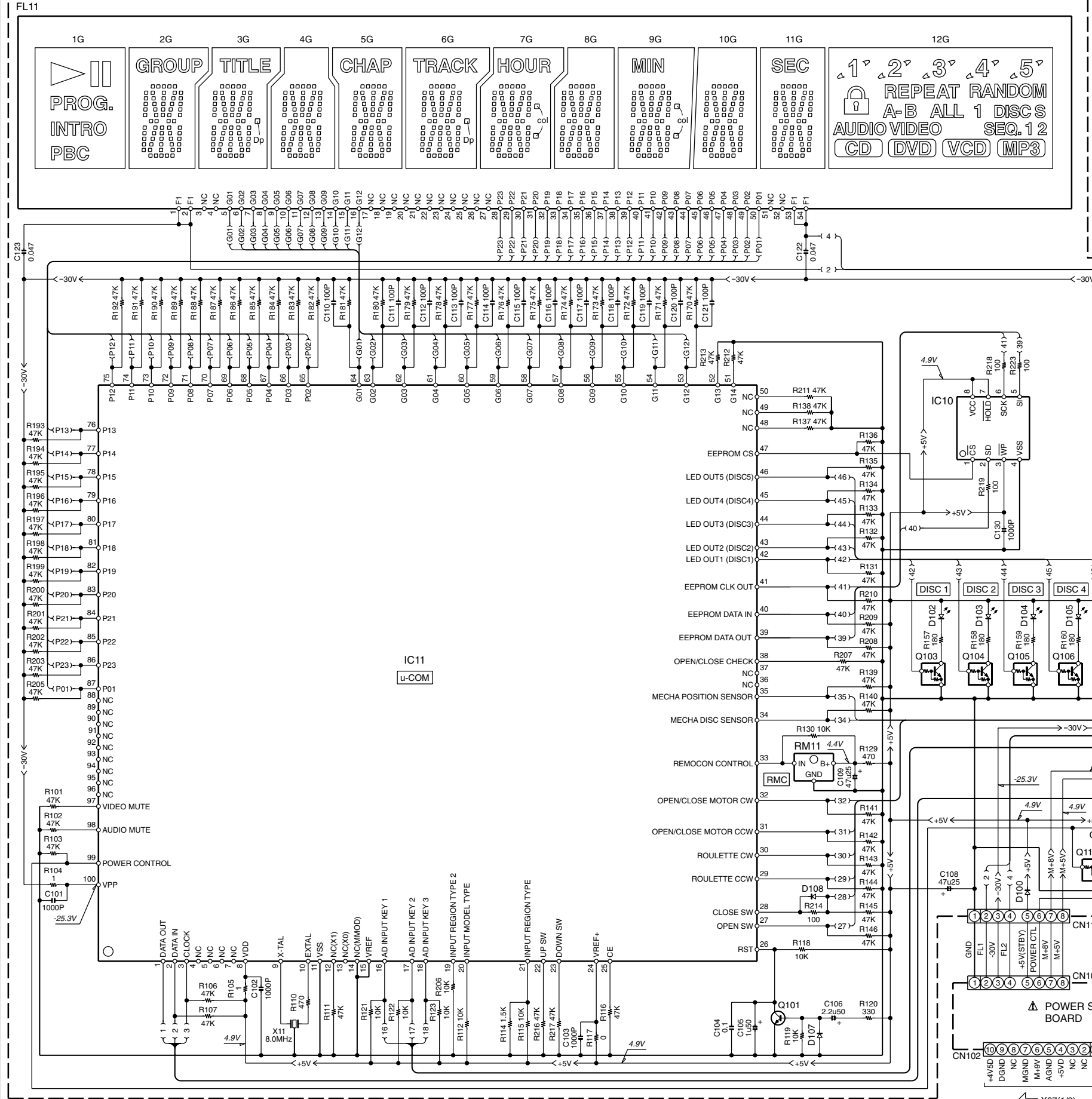
----- DIGITAL LINE  
 \_\_\_\_\_ SIGNAL LINE  
 ..... GND LINE  
 -<+B<----- +B LINE  
 -<-B<----- -B LINE

**CAUTION:** For continued safety, replace safety critical components only with manufacturer's recommended parts (refer to parts list).  $\Delta$  indicates safety critical components. For continued protection against risk of fire, replace only with same type and rating fuse(s). To reduce the risk of electric shock, leakage-current or resistance measurements shall be carried out (exposed parts are acceptably insulated from the supply circuit) before the appliance is returned to the customer.

The DC voltage is an actual reading measured with a high impedance type voltmeter with no signal input. The measurement value may vary depending on the measuring instruments used or on the product.

**DV-6050**  
**KENWOOD**

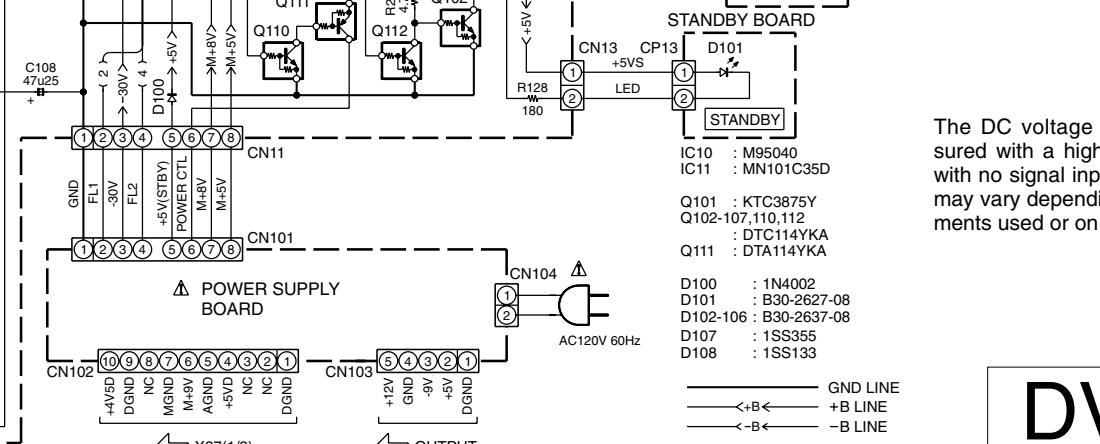
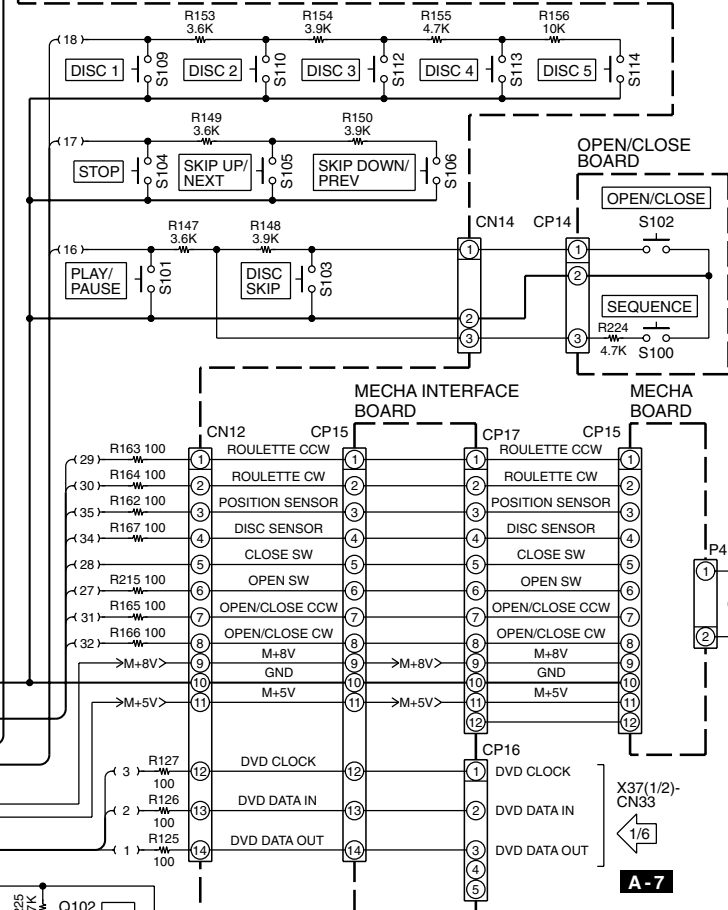
FRONT BOARD



ANODE CONNECTION

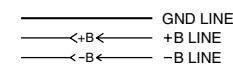
	1G	2G	3G	4G	5G	6G	7G	8G	9G	10G	11G	12G
P1	▶	GROUP	TITLE	CHAP	TRACK	HOUR	MIN	SEC	1°			
P2	◻	a	a	a	a	a	a	a	a	a	a	a
P3	PROG.	h	h	h	h	h	h	h	h	h	h	h
P4	INTRO	i	i	i	i	i	i	i	i	i	i	i
P5	PBC	k	k	k	k	k	k	k	k	k	k	k
P6	-	b	b	b	b	b	b	b	b	b	b	b
P7	-	f	f	f	f	f	f	f	f	f	f	f
P8	-	m	m	m	m	m	m	m	m	m	m	m
P9	-	g	g	g	g	g	g	g	g	g	g	g
P10	-	n	n	n	n	n	n	n	n	n	n	n
P11	-	p	p	p	p	p	p	p	p	p	p	p
P12	-	r	r	r	r	r	r	r	r	r	r	r
P13	-	c	c	c	c	c	c	c	c	c	c	c
P14	-	e	e	e	e	e	e	e	e	e	e	e
P15	-	d	d	d	d	d	d	d	d	d	d	d
P16	-	-	Dp	-	Dp	cool	-	cool	-	-	-	-
P17	-	-	-	-	-	-	-	-	-	-	-	-
P18	-	-	-	-	-	-	-	-	-	-	-	-
P19	-	-	-	-	-	-	-	-	-	-	-	-
P20	-	-	-	-	-	-	-	-	-	-	-	-
P21	-	-	-	-	-	-	-	-	-	-	-	-
P22	-	-	-	-	-	-	-	-	-	-	-	-
P23	-	-	-	-	-	-	-	-	-	-	-	-

**CAUTION:** For continued safety, replace safety critical components only with manufacturer's recommended parts (refer to parts list). ⚠ indicates safety critical components. For continued protection against risk of fire, replace only with same type and rating fuse(s). To reduce the risk of electric shock, leakage-current or resistance measurements shall be carried out (exposed parts are acceptably insulated from the supply circuit) before the appliance is returned to the customer.



The DC voltage is an actual reading measured with a high impedance type voltmeter with no signal input. The measurement value may vary depending on the measuring instruments used or on the product.

- Q101 : KTC3875Y
- Q102-107,110,112 : DTC114YKA
- Q111 : DTA114YKA
- D100 : 1N4002
- D101 : B30-2627-08
- D102-106 : B30-2637-08
- D107 : 1SS355
- D108 : 1SS133



# DV-6050

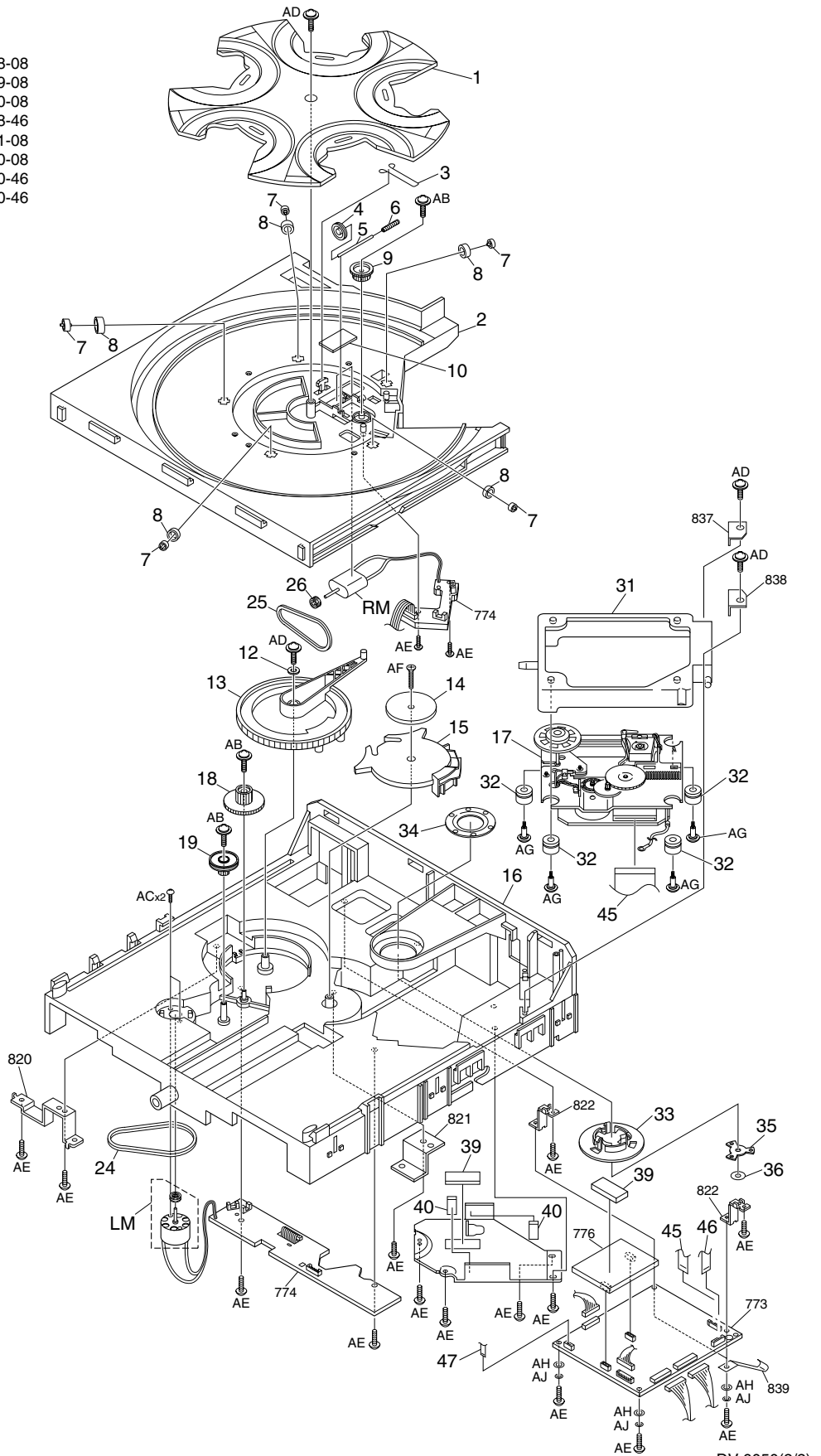
## KENWOOD

Y22-8720-10

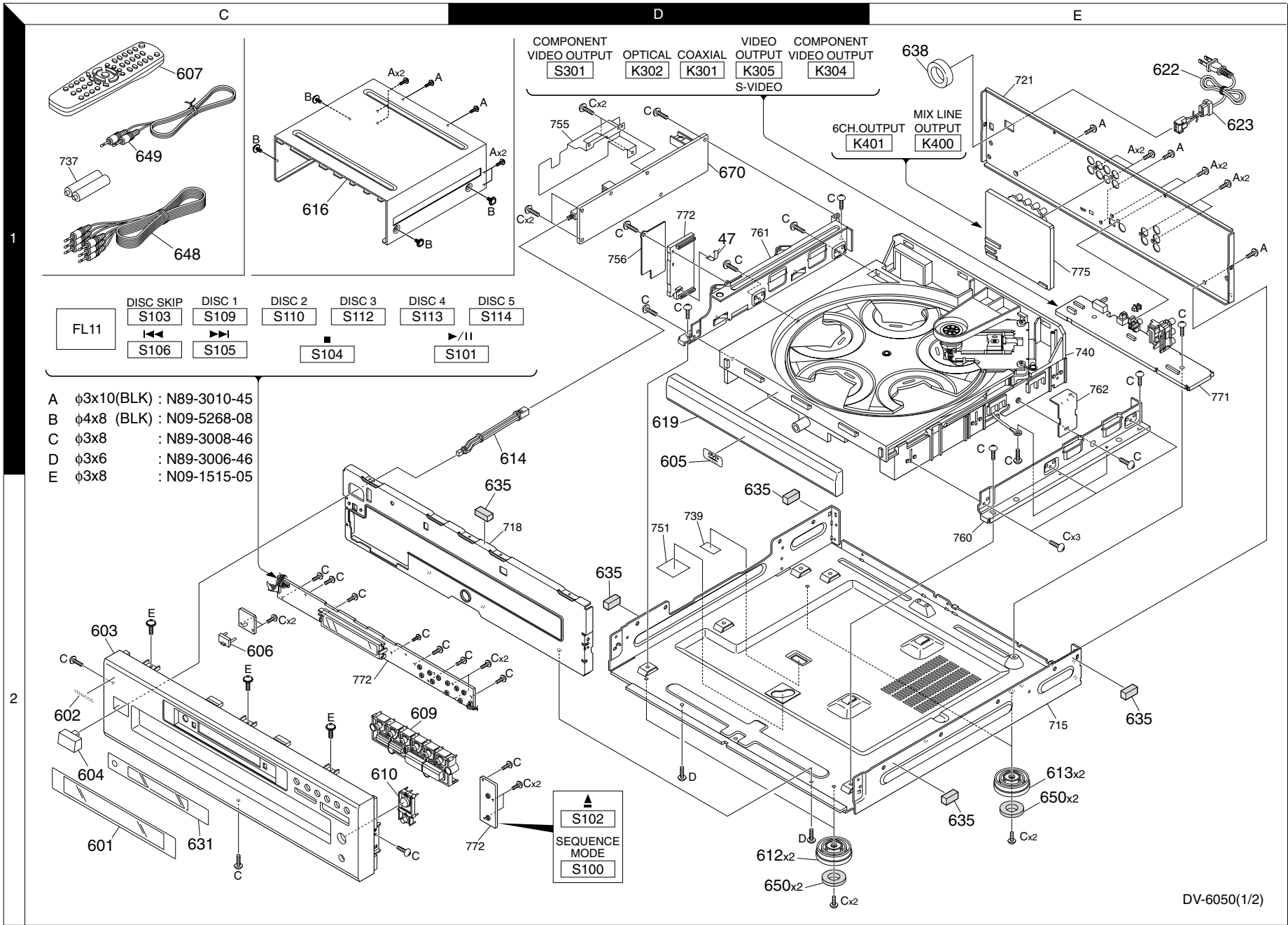
DV-6050(6/6)

## EXPLODED VIEW (MECHANISM)

AB	∅3x10	: N09-5408-08
AC	∅2.6x4	: N09-5409-08
AD	∅3x10	: N09-5410-08
AE	∅3x8	: N89-3008-46
AF	∅3x18	: N09-5411-08
AG	∅2x14.7	: N09-5450-08
AH	WASHER	: N19-1030-46
AJ	WASHER	: N16-0030-46



DV-6050(2/2)



Parts with exploded numbers larger than 700 are not supplied.

\* New Parts

Parts without **Parts No.** are not supplied.

Les articles non mentionnés dans le **Parts No.** ne sont pas fournis.

Teile ohne **Parts No.** werden nicht geliefert.

①

Ref. No	Add-ress	New Parts	Parts No.	Description	Desti-nation	Re-marks
<b>DV-6050</b>						
-		*	B60-5324-08	INST MANUAL(EN) 5557674A	P	
-		*	B60-5325-08	INST MANUAL(FR) 5557994A		
-			H10-7877-08	ENDCAP CUSHION 55309950		
-			H10-7878-08	ENDCAP CUSHION 55309960		
-			H21-0393-08	SHEET 920X1000 55170660		
-		*	H50-4684-08	GIFTBOX DV6050 55405580		
601	2C	*	B10-3936-08	CRYSTAL WINDOW 55405500		
602	2C	*	B43-0302-04	PLATE LOGO AL K55220500		
603	2C	*	A60-2323-08	CABINET PANEL F55295730		
604	2C		K27-2503-08	KNOB POWER DV6055295570		
605	1D	*	B43-0335-08	PLATE LOGO AL D55346820		
606	2C	*	B11-1575-08	CRYSTAL INDICAT 55266240		
607	1C	*	A70-1631-08	EPR RCT DV6050 55374720		
609	2C		K29-8238-08	BUTTON 10KEY AS55400150		
610	2C		K27-2502-08	BUTTON OPEN/CLO55295550		
612	2D		J02-1510-08	FOOT KENWOOD DV55235230		
613	2E		J02-1529-08	FOOT KENWOOD BL55235300		
614	1D		D21-2941-08	MLD SHAFT PW DV55295610		
616	1C		A01-3854-08	COVER TOP BK 55236620		
619	1D		A29-1211-08	DOOR TRAY DV60555295540		
△ 622	1E		E30-7250-08	WIRE-MCRDM 0.7555190780		
△ 623	1E		J42-0350-08	CLAMP AC CORD R55125180		
631	2C		B11-1565-08	CRYSTAL WINDOW 55295580		
635	2D,2E		G53-0091-08	SHIELD GASKET 155174550		
638	1E		L92-0524-08	FCORE FERRIT MA55148840		
648	1C		E30-2990-08	AUDIO-CABLE STE55176530		
649	1C		E30-7235-08	AUDIO-CABLE MON55186190		
650	2E		J02-1538-08	RUBBER FOOT CUS55236630		
△ 670	1D	*	W02-2993-08	ASY SMPS MODULE55455470		
A			N89-3010-45	SCREW-SPEC 3MM 55135460		
A			N89-3010-45	SCREW-ST 3MM 1055127070		
B			N09-5268-08	SCREW-ST 4MM 8M55127090		
C			N89-3008-46	SCREW 3MM 8MM D55164800		
D			N89-3006-46	SCREW-ST 3MM 0655049000		
E			N09-1515-05	SCREW-ST 3MM 8M55127120		
<b>MECHANISM</b>						
1	1B		J99-0838-08	PLASTIC PLATTER 5502007A		
2	1B	*	A10-3598-08	PLASTIC DRAWER 5502008A		
3	1B		G02-1745-08	SPRING CLIP CD520712060		
4	1B		D15-0448-08	PLASTIC PULLEY 20711410		
5	1B		D21-2929-08	METAL SHAFT CD520711380		
6	1B		D13-2586-08	GEAR WORM CD5 20710170		
7	1A,1B		D14-0827-08	PLASTIC ROLLER 20712170		
8	1A,1B		D14-0819-08	RUBBER ROLLER C20712120		
9	1B		D13-2587-08	GEAR HELICAL CD20710180		
10	1B		G10-0597-08	FELT BK 30.0MM 20634190		
12	2A		N19-1530-08	WASHER-SPR 7.3M55190760		
13	2A		D13-2588-08	GEAR MAIN CD5D 55020110		
14	2B		N19-1529-08	WASHER 3MM 55MM55190600		
15	2B		D12-0165-08	CAM LIFTER CD5 20712230		
16	2B		A10-3573-08	PLASTIC BASE CD55020090		
17	2B	*	D40-1817-08	OK TVP 503R 10758070		
18	2A		D13-2589-08	GEAR DRIVE CD5 20712240		

L : Scandinavia K : USA P : Canada R : Mexico C : China I : Malaysia  
 Y : PX(Far East,Hawaii) T : England E : Europe G : Germany V : China(Shanghai)  
 Y : AAFES(Europe) X : Australia Q : Russia H : Korea M : Other Areas △ indicates safety critical components .

\* New Parts

Parts without **Parts No.** are not supplied.

Les articles non mentionnés dans le **Parts No.** ne sont pas fournis.

Teile ohne **Parts No.** werden nicht geliefert.

②

Ref. No	Add-ress	New Parts	Parts No.	Description	Desti-nation	Re-marks
19	2A		D13-2590-08	GEAR PULLEY CD520712250		
24	3A		D16-0785-08	RUBBER BELT DRI20712270		
25	2A		D16-0784-08	RUBBER BELT PLA20710160		
26	2A		D16-0783-08	WHEEL BELT 20584560		
31	2B		J19-6354-08	BRACKET DVD (TV55371790)		
32	2B	*	D30-0025-08	CUSHION 5 MKP5355463530		
33	3B		J11-0890-08	CLAMPER DVD (TV55371890)		
34	2B		J19-6353-08	MAGNETIC HOLDER55020130		
35	3B		J52-0046-08	METAL YOKE PUCK55371920		
36	3B		G10-1425-08	RUBBER FELTYOK 55491580		
39	3B	*	G16-1270-08	RUBBER SUPPORT 55472540		
40	3B	*	G16-1271-08	RUBBER 16X8X2T 55491450		
45	3B	*	E35-3483-08	FFC-JUMPER 24P 55459760		
46	3B	*	E35-3484-08	FFC-JUMPER 8P 55459790		
47	3B	*	E35-3485-08	FFC-JUMPER 5X 155459780		
AB			N09-5408-08	SCREW-ST 3MM 1020692300		
AC			N09-5409-08	SCREW 2.6MM 4MM20349530		
AD			N09-5410-08	SCREW-SPEC 3MM 20366370		
AE			N89-3008-46	SCREW-ST 3MM 8.20687940		
AF			N09-5411-08	SCREW-ST 3MM 1855190460		
AG			N09-5450-08	SCREW SPEC. 2MM10742170		
AH			N19-1030-46	WASHER 3.3MM 8 55127310		
AM			N16-0030-46	WASHER-SPR 3.1M55127300		
LJ		*	T42-1136-08	MOTOR DC VERYGO55517530		
LM			T42-1121-08	MOTOR DC FF-13020581820		
RM						
<b>FRONT PCB</b>						
D101			B30-2627-08	D-LEM LTL-1CHPE55129160		
D102-106			B30-2637-08	D-LEM LTL-1CHGE55211390		
FL11			HNV-12SM22	DISPLAY HNV-12S55309030		
C101-103			CK73GB1H102K	CHIP C 1000PF K		
C104			CK73GB1C104Z	CHIP C 0.10UF Z		
C105			CE04LW1H010M	ELECTRO 1.0UF 50WV		
C106			CE04LW1H2R2M	ELECTRO 2.2UF 50WV		
C108,109			CE04LW1E470M	ELECTRO 47UF 25WV		
C110-121			CC73GCH1H101J	CHIP C 100PF J		
C122,123			CK73GB1H473K	CHIP C 0.047UF K		
C130			CK73GB1H102K	CHIP C 1000PF K		
CP16		*	E41-0900-08	CONN 1.0MM 5 FE55434960		
X11		*	L77-2409-08	CRESONATOR 8M0 55030700		
R101-103			RK73GB1J473J	CHIP R 47K J 1/16W		
R104,105			RK73GB1J1R0J	CHIP R 1 J 1/16W		
R106,107			RK73GB1J473J	CHIP R 47K J 1/16W		
R110			RK73GB1J471J	CHIP R 470 J 1/16W		
R111			RK73GB1J473J	CHIP R 47K J 1/16W		
R112			RK73GB1J103J	CHIP R 10K J 1/16W		
R114			RK73GB1J152J	CHIP R 1.5K J 1/16W		
R115			RK73GB1J103J	CHIP R 10K J 1/16W		
R116			RK73GB1J473J	CHIP R 47K J 1/16W		
R117			RK73GB1J000J	CHIP R 0 J 1/16W		
R118,119			RK73GB1J103J	CHIP R 10K J 1/16W		
R120			RK73GB1J331J	CHIP R 330 J 1/16W		
R121-123			RK73GB1J103J	CHIP R 10K J 1/16W		
R125-127			RK73GB1J101J	CHIP R 100 J 1/16W		

L : Scandinavia K : USA P : Canada R : Mexico C : China I : Malaysia  
 Y : PX(Far East,Hawaii) T : England E : Europe G : Germany V : China(Shanghai)  
 Y : AAFES(Europe) X : Australia Q : Russia H : Korea M : Other Areas △ indicates safety critical components .

PARTS LIST

DV-6050

\* New Parts  
Parts without **Parts No.** are not supplied.  
Les articles non mentionnés dans le **Parts No.** ne sont pas fournis.  
Teile ohne **Parts No.** werden nicht geliefert.

③

Ref. No	Add-ress	New Parts	Parts No.	Description	Desti-nation	Re-marks
R128			RK73GB1J181J	CHIP R 180 J 1/16W		
R129			RK73GB1J471J	CHIP R 470 J 1/16W		
R130			RK73GB1J103J	CHIP R 10K J 1/16W		
R131-146			RK73GB1J473J	CHIP R 47K J 1/16W		
R147			RK73GB1J362J	CHIP R 3.6K J 1/16W		
R148			RK73GB1J392J	CHIP R 3.9K J 1/16W		
R149			RK73GB1J362J	CHIP R 3.6K J 1/16W		
R150			RK73GB1J392J	CHIP R 3.9K J 1/16W		
R153			RK73GB1J362J	CHIP R 3.6K J 1/16W		
R154			RK73GB1J392J	CHIP R 3.9K J 1/16W		
R155			RK73GB1J472J	CHIP R 4.7K J 1/16W		
R156			RK73GB1J103J	CHIP R 10K J 1/16W		
R157-161			RK73GB1J181J	CHIP R 180 J 1/16W		
R162-167			RK73GB1J101J	CHIP R 100 J 1/16W		
R170-203			RK73GB1J473J	CHIP R 47K J 1/16W		
R205			RK73GB1J473J	CHIP R 47K J 1/16W		
R206			RK73GB1J103J	CHIP R 10K J 1/16W		
R207-213			RK73GB1J473J	CHIP R 47K J 1/16W		
R214,215			RK73GB1J101J	CHIP R 100 J 1/16W		
R216,217			RK73GB1J473J	CHIP R 47K J 1/16W		
R218,219			RK73GB1J101J	CHIP R 100 J 1/16W		
R223			RK73GB1J101J	CHIP R 100 J 1/16W		
R225			RK73GB1J472J	CHIP R 4.7K J 1/16W		
S100-114			S70-0087-08	SWITACT VERTICA55145270		
D100			1N4002	D-SR 1N4002 10020415050		
D107			1S3355	D-SLP 1S3355 3520496510		
IC10			M95040	IC-EEPROM M950455420650		
IC11			MN101C35D	IC-MICROCONT MN55420650		
Q101			KTC3875Y	TR-SLPSWA KTC3820970460		
Q102-107			DTC114YKA	TR-SSD DTC114YK55133180		
Q110			DTC114YKA	TR-SSD DTC114YK55133180		
Q111			DTA114YKA	TR-SSD DTA114YK55133190		
Q112			DTC114YKA	TR-SSD DTC114YK55133180		
RM11			W02-2801-08	IC-REMOTE NJL6355156010		
<b>OUTPUT PCB</b>						
C301-306			CC73GCH1H100D	CHIP C 10PF D		
C307			CK73GB1H103K	CHIP C 0.010UF K		
C323			CE04LW1H010M	ELECTRO 1.0UF 50WV		
C324			CC73GCH1H100D	CHIP C 10PF D		
C325			CK73GB1C104Z	CHIP C 0.10UF Z		
C327			CE04LW1C100M	ELECTRO 10UF 16WV		
C328			CK73GB1C104Z	CHIP C 0.10UF Z		
C362-364			CE04LW1C471M	ELECTRO 470UF 16WV		
C365			CE04LW1C101M	ELECTRO 100UF 16WV		
C366,367			CK73GB1C104Z	CHIP C 0.10UF Z		
J301			JUMPER WIRE	BCL 0.5MM TIN A20330130		
J318-320			JUMPER WIRE	BCL 0.5MM TIN A20330130		
K301			E63-1244-08	CON PHONO SCKT 55164750		
K304			E63-1192-08	CON PHONO SCKT 55149420		
K305			E68-0018-08	CON DIN SCKT M155191220		
B300			L32-1047-08	FBEAD SURFACE M55126670		
L301		*	L90-0502-08	LF-SMD 2U2H +1055416850		
L302		*	L90-0503-08	LF-SMD 4U7H +1055417250		

L : Scandinavia K : USA P : Canada R : Mexico C : China I : Malaysia  
Y : PX(Far East,Hawaii) T : England E : Europe G : Germany V : China(Shanghai)  
Y : AAFES(Europe) X : Australia Q : Russia H : Korea M : Other Areas ⚠ indicates safety critical components.

\* New Parts  
Parts without **Parts No.** are not supplied.  
Les articles non mentionnés dans le **Parts No.** ne sont pas fournis.  
Teile ohne **Parts No.** werden nicht geliefert.

④

Ref. No	Add-ress	New Parts	Parts No.	Description	Desti-nation	Re-marks
R300			RK73GB1J000J	CHIP R 0 J 1/16W		
R301-306			RK73GB1J750J	CHIP R 75 J 1/16W		
R331			RK73GB1J181J	CHIP R 180 J 1/16W		
R332			RK73GB1J750J	CHIP R 75 J 1/16W		
R333			RK73GB1J221J	CHIP R 220 J 1/16W		
R342			RK73GB1J220J	CHIP R 22 J 1/16W		
R343-348			RK73GB1J223J	CHIP R 22K J 1/16W		
R352-355			RK73GB1J000J	CHIP R 0 J 1/16W		
R358			RK73GB1J000J	CHIP R 0 J 1/16W		
R364-368			RK73GB1J000J	CHIP R 0 J 1/16W		
S301			S62-0115-08	SWISLIDE HORIZO55397390		
G300		*	KIA7809AP	IC-REGPOSF XD KI55123980		
I300			TC7SET04FU	IC(INVERTER)SET55415450		
K302			GP1F32T	D-LEM GP1F32T R55164740		
TA30			HN1B01FU	TR-ARRAY HN1B0155419580		
<b>AUDIO PCB</b>						
C400			CE04LW1C100M	ELECTRO 10UF 16WV		
C401			CC73GCH1H821J	CHIP C 820PF J		
C402			CC73GCH1H181J	CHIP C 180PF J		
C404			CE04LW1C100M	ELECTRO 10UF 16WV		
C405			CC73GCH1H181J	CHIP C 180PF J		
C406			CE04LW1C100M	ELECTRO 10UF 16WV		
C409			CC73GCH1H181J	CHIP C 180PF J		
C410			CE04LW1C100M	ELECTRO 10UF 16WV		
C411			CC73GCH1H821J	CHIP C 820PF J		
C412			CC73GCH1H181J	CHIP C 180PF J		
C413,414			CK73GB1H472K	CHIP C 4700PF K		
C415,416			CK73GB1C104Z	CHIP C 0.10UF Z		
C417			CE04LW1C100M	ELECTRO 10UF 16WV		
C418			CC73GCH1H821J	CHIP C 820PF J		
C419			CC73GCH1H151J	CHIP C 150PF J		
C420			CE04LW1C100M	ELECTRO 10UF 16WV		
C421,422			CC73GCH1H151J	CHIP C 150PF J		
C423			CC73GCH1H821J	CHIP C 820PF J		
C424,425			CE04LW1C100M	ELECTRO 10UF 16WV		
C426			CC73GCH1H151J	CHIP C 150PF J		
C427,428			CK73GB1H122K	CHIP C 1200PF K		
C429,430			CK73GB1C104Z	CHIP C 0.10UF Z		
C431			CE04LW1C100M	ELECTRO 10UF 16WV		
C432			CC73GCH1H821J	CHIP C 820PF J		
C433-435			CC73GCH1H181J	CHIP C 180PF J		
C436,437			CE04LW1C100M	ELECTRO 10UF 16WV		
C438			CC73GCH1H821J	CHIP C 820PF J		
C439			CC73GCH1H181J	CHIP C 180PF J		
C440,441			CK73GB1H332K	CHIP C 3300PF K		
C442,443			CK73GB1C104Z	CHIP C 0.10UF Z		
C444,445			CE04LW1C100M	ELECTRO 10UF 16WV		
C446			CC73GCH1H821J	CHIP C 820PF J		
C447,448			CC73GCH1H181J	CHIP C 180PF J		
C448			CC73GCH1H181J	CHIP C 180PF J		
C449			CE04LW1C100M	ELECTRO 10UF 16WV		
C450			CC73GCH1H821J	CHIP C 820PF J		
C451			CC73GCH1H181J	CHIP C 180PF J		
C452			CE04LW1C100M	ELECTRO 10UF 16WV		

L : Scandinavia K : USA P : Canada R : Mexico C : China I : Malaysia  
Y : PX(Far East,Hawaii) T : England E : Europe G : Germany V : China(Shanghai)  
Y : AAFES(Europe) X : Australia Q : Russia H : Korea M : Other Areas ⚠ indicates safety critical components.

\* New Parts

Parts without **Parts No.** are not supplied.  
Les articles non mentionnés dans le **Parts No.** ne sont pas fournis.  
Teile ohne **Parts No.** werden nicht geliefert.

5

Ref. No	Add-ress	New Parts	Parts No.	Description	Desti-nation	Re-marks
C453			CC73GCH1H181J	CHIP C 180PF	J	
C454,455			CK73GB1C104Z	CHIP C 0.10UF	Z	
C456			CK73GB1H332K	CHIP C 3300PF	K	
C457,458			CE04LW1C100M	ELECTRO 10UF	16WV	
C459			CK73GB1C104Z	CHIP C 0.10UF	Z	
C460			CC73GCH1H121J	CHIP C 120PF	J	
C461			CK73GB1C104Z	CHIP C 0.10UF	Z	
C462			CC73GCH1H121J	CHIP C 120PF	J	
C463,464			CE04LW1C100M	ELECTRO 10UF	16WV	
C465			CK73GB1H222K	CHIP C 2200PF	K	
C466			CC73GCH1H391J	CHIP C 390PF	J	
C467			CK73GB1H332K	CHIP C 3300PF	K	
C468			CK73GB1H222K	CHIP C 2200PF	K	
C470			CK73GB1H222K	CHIP C 2200PF	K	
C471			CC73GCH1H391J	CHIP C 390PF	J	
C472			CK73GB1H332K	CHIP C 3300PF	K	
C473			CK73GB1H222K	CHIP C 2200PF	K	
C474,475			CK73GB1C104Z	CHIP C 0.10UF	Z	
C476-479			CE04LW1C100M	ELECTRO 10UF	16WV	
C500,501			CE04LW1C330M	ELECTRO 33UF	16WV	
C506,507			CE04LW1C100M	ELECTRO 10UF	16WV	
C508-513			CC73GCH1H101J	CHIP C 100PF	J	
C514			CK73GB1H682K	CHIP C 6800PF	K	
C515			CC73GCH1H121J	CHIP C 120PF	J	
C516			CC73GCH1H101J	CHIP C 100PF	J	
C517			CE04LW1C330M	ELECTRO 33UF	16WV	
C518			CE04LW1H010M	ELECTRO 1.0UF	50WV	
C519			CE04LW1C101M	ELECTRO 100UF	16WV	
C520			CE04LW1H0R1M	ELECTRO 0.1UF	50WV	
C521			CE04LW1C100M	ELECTRO 10UF	16WV	
C522			CK73GB1H102K	CHIP C 1000PF	K	
C523			CK73GB1C104Z	CHIP C 0.10UF	Z	
C524			CE04LW1C100M	ELECTRO 10UF	16WV	
C525			CK73GB1H102K	CHIP C 1000PF	K	
C526			CE04LW1C100M	ELECTRO 10UF	16WV	
C527-529			CK73GB1C104Z	CHIP C 0.10UF	Z	
C530			CE04LW1C470M	ELECTRO 47UF	16WV	
C531			CK73GB1C104Z	CHIP C 0.10UF	Z	
C532			CE04LW1H010M	ELECTRO 1.0UF	50WV	
C533			CC73GCH1H100D	CHIP C 10PF	D	
C534,535			CE04LW1C471M	ELECTRO 470UF	16WV	
C536,537			CK73GB1C104Z	CHIP C 0.10UF	Z	
C538			CE04LW1C100M	ELECTRO 10UF	16WV	
C539			CK73GB1C104Z	CHIP C 0.10UF	Z	
C540			CE04LW1C100M	ELECTRO 10UF	16WV	
C541			CK73GB1C104Z	CHIP C 0.10UF	Z	
C542,543			CC73GCH1H101J	CHIP C 100PF	J	
C560			CE04LW1C100M	ELECTRO 10UF	16WV	
K400,401		*	E63-1311-08	CON PHONO SCKT 55405610		
L400,401		*	L90-0502-08	LF-SMD 2U2H +1055416850		
L403,404		*	L90-0502-08	LF-SMD 2U2H +1055416850		
R400			RK73GB1J472J	CHIP R 4.7K	J	1/16W
R401			RK73GB1J432J	CHIP R 4.3K	J	1/16W

L : Scandinavia K : USA P : Canada R : Mexico C : China I : Malaysia  
Y : PX(Far East,Hawaii) T : England E : Europe G : Germany V : China(Shanghai)  
Y : AAFES(Europe) X : Australia Q : Russia H : Korea M : Other Areas  $\Delta$  indicates safety critical components .

\* New Parts

Parts without **Parts No.** are not supplied.  
Les articles non mentionnés dans le **Parts No.** ne sont pas fournis.  
Teile ohne **Parts No.** werden nicht geliefert.

6

Ref. No	Add-ress	New Parts	Parts No.	Description	Desti-nation	Re-marks
R402			RK73GB1J622J	CHIP R 6.2K	J	1/16W
R403			RK73GB1J511J	CHIP R 510	J	1/16W
R404			RK73GB1J472J	CHIP R 4.7K	J	1/16W
R405,406			RK73GB1J432J	CHIP R 4.3K	J	1/16W
R407			RK73GB1J472J	CHIP R 4.7K	J	1/16W
R408			RK73GB1J622J	CHIP R 6.2K	J	1/16W
R409			RK73GB1J432J	CHIP R 4.3K	J	1/16W
R410			RK73GB1J472J	CHIP R 4.7K	J	1/16W
R411			RK73GB1J432J	CHIP R 4.3K	J	1/16W
R412			RK73GB1J622J	CHIP R 6.2K	J	1/16W
R413			RK73GB1J511J	CHIP R 510	J	1/16W
R414,415			RK73GB1J4R7J	CHIP R 4.7	J	1/16W
R416			RK73GB1J432J	CHIP R 4.3K	J	1/16W
R417			RK73GB1J242J	CHIP R 2.4K	J	1/16W
R418			RK73GB1J622J	CHIP R 6.2K	J	1/16W
R419			RK73GB1J511J	CHIP R 510	J	1/16W
R420			RK73GB1J432J	CHIP R 4.3K	J	1/16W
R421			RK73GB1J242J	CHIP R 2.4K	J	1/16W
R422,423			RK73GB1J622J	CHIP R 6.2K	J	1/16W
R424			RK73GB1J432J	CHIP R 4.3K	J	1/16W
R425			RK73GB1J242J	CHIP R 2.4K	J	1/16W
R426			RK73GB1J432J	CHIP R 4.3K	J	1/16W
R427			RK73GB1J242J	CHIP R 2.4K	J	1/16W
R428			RK73GB1J622J	CHIP R 6.2K	J	1/16W
R429			RK73GB1J511J	CHIP R 510	J	1/16W
R430,431			RK73GB1J4R7J	CHIP R 4.7	J	1/16W
R432			RK73GB1J432J	CHIP R 4.3K	J	1/16W
R435,436			RK73GB1J622J	CHIP R 6.2K	J	1/16W
R437			RK73GB1J511J	CHIP R 510	J	1/16W
R438			RK73GB1J622J	CHIP R 6.2K	J	1/16W
R439-442			RK73GB1J432J	CHIP R 4.3K	J	1/16W
R443			RK73GB1J622J	CHIP R 6.2K	J	1/16W
R444			RK73GB1J511J	CHIP R 510	J	1/16W
R445,446			RK73GB1J4R7J	CHIP R 4.7	J	1/16W
R447,448			RK73GB1J432J	CHIP R 4.3K	J	1/16W
R449			RK73GB1J622J	CHIP R 6.2K	J	1/16W
R450			RK73GB1J511J	CHIP R 510	J	1/16W
R452			RK73GB1J432J	CHIP R 4.3K	J	1/16W
R453,454			RK73GB1J622J	CHIP R 6.2K	J	1/16W
R455-458			RK73GB1J432J	CHIP R 4.3K	J	1/16W
R459			RK73GB1J622J	CHIP R 6.2K	J	1/16W
R460			RK73GB1J511J	CHIP R 510	J	1/16W
R461,462			RK73GB1J4R7J	CHIP R 4.7	J	1/16W
R463			RK73GB1J104J	CHIP R 100K	J	1/16W
R464			RK73GB1J470J	CHIP R 47	J	1/16W
R465			RK73GB1J104J	CHIP R 100K	J	1/16W
R466			RK73GB1J470J	CHIP R 47	J	1/16W
R467,468			RK73GB1J4R7J	CHIP R 4.7	J	1/16W
R469			RK73GB1J103J	CHIP R 10K	J	1/16W
R470			RK73GB1J104J	CHIP R 100K	J	1/16W
R471			RK73GB1J471J	CHIP R 470	J	1/16W
R472			RK73GB1J152J	CHIP R 1.5K	J	1/16W
R473			RK73GB1J222J	CHIP R 2.2K	J	1/16W
R474,475			RK73GB1J105J	CHIP R 1.0M	J	1/16W
R476			RK73GB1J561J	CHIP R 560	J	1/16W

L : Scandinavia K : USA P : Canada R : Mexico C : China I : Malaysia  
Y : PX(Far East,Hawaii) T : England E : Europe G : Germany V : China(Shanghai)  
Y : AAFES(Europe) X : Australia Q : Russia H : Korea M : Other Areas  $\Delta$  indicates safety critical components .

PARTS LIST

DV-6050

\* New Parts  
Parts without **Parts No.** are not supplied.  
Les articles non mentionnés dans le **Parts No.** ne sont pas fournis.  
Teile ohne **Parts No.** werden nicht geliefert.

⑦

Ref. No	Add-ress	New Parts	Parts No.	Description	Desti-nation	Re-marks
R477			RK73GB1J104J	CHIP R	100K	J 1/16W
R478			RK73GB1J471J	CHIP R	470	J 1/16W
R479			RK73GB1J152J	CHIP R	1.5K	J 1/16W
R480			RK73GB1J222J	CHIP R	2.2K	J 1/16W
R481,482			RK73GB1J105J	CHIP R	1.0M	J 1/16W
R483			RK73GB1J561J	CHIP R	560	J 1/16W
R484,485			RK73GB1J4R7J	CHIP R	4.7	J 1/16W
R486			RK73GB1J104J	CHIP R	100K	J 1/16W
R487,488			RK73GB1J181J	CHIP R	180	J 1/16W
R489			RK73GB1J151J	CHIP R	150	J 1/16W
R490-493			RK73GB1J332J	CHIP R	3.3K	J 1/16W
R494			RK73GB1J104J	CHIP R	100K	J 1/16W
R495,496			RK73GB1J181J	CHIP R	180	J 1/16W
R497			RK73GB1J151J	CHIP R	150	J 1/16W
R498			RK73GB1J104J	CHIP R	100K	J 1/16W
R499,500			RK73GB1J181J	CHIP R	180	J 1/16W
R501			RK73GB1J151J	CHIP R	150	J 1/16W
R502,503			RK73GB1J332J	CHIP R	3.3K	J 1/16W
R504			RK73GB1J104J	CHIP R	100K	J 1/16W
R505,506			RK73GB1J181J	CHIP R	180	J 1/16W
R507			RK73GB1J151J	CHIP R	150	J 1/16W
R508,509			RK73GB1J332J	CHIP R	3.3K	J 1/16W
R510			RK73GB1J104J	CHIP R	100K	J 1/16W
R511,512			RK73GB1J181J	CHIP R	180	J 1/16W
R513			RK73GB1J151J	CHIP R	150	J 1/16W
R514,515			RK73GB1J332J	CHIP R	3.3K	J 1/16W
R516			RK73GB1J104J	CHIP R	100K	J 1/16W
R517,518			RK73GB1J181J	CHIP R	180	J 1/16W
R519			RK73GB1J151J	CHIP R	150	J 1/16W
R520,521			RK73GB1J332J	CHIP R	3.3K	J 1/16W
R522			RK73GB1J104J	CHIP R	100K	J 1/16W
R523,524			RK73GB1J181J	CHIP R	180	J 1/16W
R525			RK73GB1J151J	CHIP R	150	J 1/16W
R526,527			RK73GB1J332J	CHIP R	3.3K	J 1/16W
R528			RK73GB1J104J	CHIP R	100K	J 1/16W
R529,530			RK73GB1J181J	CHIP R	180	J 1/16W
R531			RK73GB1J151J	CHIP R	150	J 1/16W
R532,533			RK73GB1J332J	CHIP R	3.3K	J 1/16W
R534-538			RK73GB1J183J	CHIP R	18K	J 1/16W
R539			RK73GB1J622J	CHIP R	6.2K	J 1/16W
R540,541			RK73GB1J4R7J	CHIP R	4.7	J 1/16W
R542,543			RK73GB1J101J	CHIP R	100	J 1/16W
R544,545			RK73GB1J102J	CHIP R	1.0K	J 1/16W
R546			RK73GB1J153J	CHIP R	15K	J 1/16W
R547			RK73GB1J332J	CHIP R	3.3K	J 1/16W
R548			RK73GB1J102J	CHIP R	1.0K	J 1/16W
R549			RK73GB1J101J	CHIP R	100	J 1/16W
R550,551			RK73GB1J000J	CHIP R	0	J 1/16W
R551			RK73GB1J000J	CHIP R	0	J 1/16W
R555,556			RK73GB1J102J	CHIP R	1.0K	J 1/16W
R557			RK73GB1J224J	CHIP R	220K	J 1/16W
R558			RK73GB1J824J	CHIP R	820K	J 1/16W
R559			RK73GB1J473J	CHIP R	47K	J 1/16W
R560			RK73GB1J824J	CHIP R	820K	J 1/16W
R561			RK73GB1J224J	CHIP R	220K	J 1/16W

L : Scandinavia    K : USA    P : Canada    R : Mexico    C : China    I : Malaysia  
Y : PX(Far East,Hawaii)    T : England    E : Europe    G : Germany    V : China(Shanghai)  
Y : AAFES(Europe)    X : Australia    Q : Russia    H : Korea    M : Other Areas    Δ indicates safety critical components.

\* New Parts  
Parts without **Parts No.** are not supplied.  
Les articles non mentionnés dans le **Parts No.** ne sont pas fournis.  
Teile ohne **Parts No.** werden nicht geliefert.

⑧

Ref. No	Add-ress	New Parts	Parts No.	Description	Desti-nation	Re-marks
R562			RK73GB1J000J	CHIP R	0	J 1/16W
R563			RK73GB1J821J	CHIP R	820	J 1/16W
R564			RK73GB1J911J	CHIP R	910	J 1/16W
R565			RK73GB1J241J	CHIP R	240	J 1/16W
R566			RK73GB1J000J	CHIP R	0	J 1/16W
R567			RK73GB1J102J	CHIP R	1.0K	J 1/16W
R568,569			RK73GB1J000J	CHIP R	0	J 1/16W
R570,571			RK73GB1J151J	CHIP R	150	J 1/16W
R572			RK73GB1J471J	CHIP R	470	J 1/16W
R573-579			RK73GB1J220J	CHIP R	22	J 1/16W
R580-582			RK73GB1J432J	CHIP R	4.3K	J 1/16W
R583			RK73GB1J220J	CHIP R	22	J 1/16W
R584			RK73GB1J000J	CHIP R	0	J 1/16W
R585			RK73GB1J103J	CHIP R	10K	J 1/16W
D400			1N4148	D-SLP 1N4148	1070436540	
D401			1SS355	D-SLP 1SS355	3520496510	
D402,403		*	MTZJ9.1V	D-ZENER MTZJ 9 .55169720		
D404			1SS355	D-SLP 1SS355	3520496510	
D405,406		*	UDZS3.3B	D-ZENER UDZS 3 55394360		
D407,408			1SS355	D-SLP 1SS355	3520496510	
G400			LM317LZ	IC-REGULADJ LM315113960		
I400		*	CS4382-KQ	IC-CONV CS4382-55451460		
I401-406			NJM5532M	IC(OP AMP) NJM555142590		
I407			NJM2123V	IC(ANALOGUE IC)55444260		
Q400			DTA114YKA	TR-SSD DTA114YK55133190		
Q401			DTC114YKA	TR-SSD DTC114YK55133180		
Q402-405			DTC323T	TR-SSD DTC323TK55039430		
Q406		*	DTC114TKA	TR-SSD DTC114TK55133330		
Q407,408			DTA114YKA	TR-SSD DTA114YK55133190		
Q409-424			KTD1304	TR-SLPSWA KTD1355138710		
<b>I/P PCB (X35-2340-10)</b>						
C1			CK73GB1C104Z	CHIP C	0.10UF	Z
C2			CE32AP0G221M	CHIP EL	220UF	4.0WV
C3			CK73GB1H152K	CHIP C	1500PF	K
C5			CK73GB1H152K	CHIP C	1500PF	K
C6			CE32AP1C100M	CHIP EL	10UF	16WV
C7			CK73GB1H152K	CHIP C	1500PF	K
C8			CK73GB1H102K	CHIP C	1000PF	K
C9			CK73GB1H152K	CHIP C	1500PF	K
C10			CE32AP1C101M	CHIP EL	100UF	16WV
C11			CK73GB1H102K	CHIP C	1000PF	K
C12			CE32AP1C101M	CHIP EL	100UF	16WV
C13			CK73GB1H152K	CHIP C	1500PF	K
C14			CK73GB1H103K	CHIP C	0.010UF	K
C15 ,16			CC73GCCH1H470J	CHIP C	47PF	J
C17			CK73GB1H152K	CHIP C	1500PF	K
C20 -22			CK73GB1H152K	CHIP C	1500PF	K
C24			CK73GB1H152K	CHIP C	1500PF	K
C26 ,27			CK73GB1H152K	CHIP C	1500PF	K
C31			CK73GB1H152K	CHIP C	1500PF	K
C33 -37			CK73GB1C104Z	CHIP C	0.10UF	Z
C40			CC73GCCH1H050C	CHIP C	5.0PF	C
C52			CK73GB1C104Z	CHIP C	0.10UF	Z
C56			CK73GB1C104Z	CHIP C	0.10UF	Z

L : Scandinavia    K : USA    P : Canada    R : Mexico    C : China    I : Malaysia  
Y : PX(Far East,Hawaii)    T : England    E : Europe    G : Germany    V : China(Shanghai)  
Y : AAFES(Europe)    X : Australia    Q : Russia    H : Korea    M : Other Areas    Δ indicates safety critical components.



\* New Parts  
 Parts without **Parts No.** are not supplied.  
 Les articles non mentionnés dans le **Parts No.** ne sont pas fournis.  
 Teile ohne **Parts No.** werden nicht geliefert.



Ref. No	Address	New Parts	Parts No.	Description	Destination	Remarks
C58			CK73GB1C104Z	CHIP C 0.10UF	Z	
C62			CK73GB1C104Z	CHIP C 0.10UF	Z	
C69			CK73GB1C104Z	CHIP C 0.10UF	Z	
C75			CK73GB1C104Z	CHIP C 0.10UF	Z	
C100			CK73GB1H152K	CHIP C 1500PF	K	
C101			CK73GB1H152K	CHIP C 1500PF	K	
C102,103			CC73GCH1H470J	CHIP C 47PF	J	
C104			CK73GB1H103K	CHIP C 0.010UF	K	
C107-110			CK73GB1C104Z	CHIP C 0.10UF	Z	
C112			CK73GB1C104Z	CHIP C 0.10UF	Z	
L1			L40-1001-39	LF-SMD 10U0H + 55417950		
CP1 -17			RK74GB1J151J	CHIP-COM 150	J 1/16W	
R1_2			RK73GB1J470J	CHIP R 47	J 1/16W	
R3_4			RK73GB1J1R0J	CHIP R 1	J 1/16W	
R5			RK73GB1J820J	CHIP R 82	J 1/16W	
R7			RK73GB1J103J	CHIP R 10K	J 1/16W	
R8_9			RK73GB1J100J	CHIP R 10	J 1/16W	
R11_12			RK73GB1J103J	CHIP R 10K	J 1/16W	
R13_14			RK73GB1J101J	CHIP R 100	J 1/16W	
R15			RK73GB1J102J	CHIP R 1.0K	J 1/16W	
R16_17			RK73GB1J103J	CHIP R 10K	J 1/16W	
R18			RK73GB1J1R0J	CHIP R 1	J 1/16W	
R19_24			RK73GB1J103J	CHIP R 10K	J 1/16W	
R25_26			RK73GB1J1R0J	CHIP R 1	J 1/16W	
R27_29			RK73GB1J101J	CHIP R 100	J 1/16W	
R30_33			RK73GB1J1R0J	CHIP R 1	J 1/16W	
R35			RK73GB1J470J	CHIP R 47	J 1/16W	
R36			RK73GB1J121J	CHIP R 120	J 1/16W	
R37			RK73GB1J1R0J	CHIP R 1	J 1/16W	
R38_39			RK73GB1J151J	CHIP R 150	J 1/16W	
R40_41			RK73GB1J1R0J	CHIP R 1	J 1/16W	
R42_43			RK73GB1J103J	CHIP R 10K	J 1/16W	
R44			RK73GB1J1R0J	CHIP R 1	J 1/16W	
R45			RK73GB1J000J	CHIP R 0	J 1/16W	
R46_47			RK73GB1J470J	CHIP R 47	J 1/16W	
R51			RK73GB1J1R0J	CHIP R 1	J 1/16W	
R53_54			RK73GB1J1R0J	CHIP R 1	J 1/16W	
R56			RK73GB1J1R0J	CHIP R 1	J 1/16W	
R60			RK73GB1J1R0J	CHIP R 1	J 1/16W	
R62			RK73GB1J473J	CHIP R 47K	J 1/16W	
R64			RK73GB1J1R0J	CHIP R 1	J 1/16W	
R101,102			RK73GB1J101J	CHIP R 100	J 1/16W	
R104			RK73GB1J1R0J	CHIP R 1	J 1/16W	
R109			RK73GB1J102J	CHIP R 1.0K	J 1/16W	
R113			RK73GB1J301J	CHIP R 300	J 1/16W	
R116			RK73GB1J301J	CHIP R 300	J 1/16W	
R117			RK73GB1J101J	CHIP R 100	J 1/16W	
R118			RK73GB1J102J	CHIP R 1.0K	J 1/16W	
R119			RK73GB1J101J	CHIP R 100	J 1/16W	
R120			RK73GB1J102J	CHIP R 1.0K	J 1/16W	
R121			RK73GB1J301J	CHIP R 300	J 1/16W	
R122			RK73GB1J101J	CHIP R 100	J 1/16W	
R123			RK73GB1J102J	CHIP R 1.0K	J 1/16W	
R126			RK73GB1J182J	CHIP R 1.8K	J 1/16W	

L : Scandinavia K : USA P : Canada R : Mexico C : China I : Malaysia  
 Y : PX(Far East,Hawaii) T : England E : Europe G : Germany V : China(Shanghai)  
 Y : AAFES(Europe) X : Australia Q : Russia H : Korea M : Other Areas  $\Delta$  indicates safety critical components.

\* New Parts  
 Parts without **Parts No.** are not supplied.  
 Les articles non mentionnés dans le **Parts No.** ne sont pas fournis.  
 Teile ohne **Parts No.** werden nicht geliefert.



Ref. No	Address	New Parts	Parts No.	Description	Destination	Remarks
R129,130			RK73GB1J1R0J	CHIP R 1	J 1/16W	
R137			RK73GB1J103J	CHIP R 10K	J 1/16W	
R139,140			RK73GB1J1R0J	CHIP R 1	J 1/16W	
VR1			R32-01 12-05	PR 1K0 OHM +30%55431650		
W1 -6			RK73GB1J000J	CHIP R 0	J 1/16W	
W8			RK73GB1J000J	CHIP R 0	J 1/16W	
W10			RK73GB1J000J	CHIP R 0	J 1/16W	
W45			RK73GB1J000J	CHIP R 0	J 1/16W	
IC1			FLI2200	IC-VIDEOPROC FL55392540		
IC2			K4S643232	IC-DRAM 143M0 H55431000		
IC3			ADV7196	IC(MOS IC)OC AD55392440		
Q102-104			2SA1576A	TR-SLPHF 2SA15755170560		
<b>MAIN PCB (X37-3000-10)</b>						
C1_2			CK73GB1C104Z	CHIP C 0.10UF	Z	
C15			CE32AP1C101M	CHIP EL 100UF	16WV	
C16			CK73GB1C104Z	CHIP C 0.10UF	Z	
C17_18			CC73GCH1H561J	CHIP C 560PF	J	
C19_20			CE32AP1C470M	CHIP EL 47UF	16WV	
C21 -23			CK73GB1C104Z	CHIP C 0.10UF	Z	
C24			CE32AP1C101M	CHIP EL 100UF	16WV	
C25_26			CK73GB1C104Z	CHIP C 0.10UF	Z	
C27			CE32AC1A331M	CHIP EL 330UF	10WV	
C28			CK73GB1C104Z	CHIP C 0.10UF	Z	
C29			CE32AP1C101M	CHIP EL 100UF	16WV	
C30			CK73GB1H103K	CHIP C 0.010UF	K	
C31			CC73GCH1H101J	CHIP C 100PF	J	
C32			CK73GB1A154K	CHIP C 0.15UF	K	
C34			CC73GCH1H101J	CHIP C 100PF	J	
C35			CE32AP1C101M	CHIP EL 100UF	16WV	
C36_37			CK73GB1C104Z	CHIP C 0.10UF	Z	
C38			CK73GB1H392K	CHIP C 3900PF	K	
C39			CE32AP1C101M	CHIP EL 100UF	16WV	
C40_41			CK73GB1C104Z	CHIP C 0.10UF	Z	
C42			CE32AC0J221M	CHIP EL 220UF	6.3WV	
C43			CE32AP1C100M	CHIP EL 10UF	16WV	
C44			CK73GB1H152K	CHIP C 1500PF	K	
C45			CC73GCH1H120J	CHIP C 12PF	J	
C46			CK73GB1C104Z	CHIP C 0.10UF	Z	
C47			CK73GB1H223K	CHIP C 0.022UF	K	
C48			CK73GB1H473K	CHIP C 0.047UF	K	
C49_50			CC73GCH1H561J	CHIP C 560PF	J	
C51_52			CK73GB1C104Z	CHIP C 0.10UF	Z	
C53			CE32AP1C101M	CHIP EL 100UF	16WV	
C54 -57			CK73GB1C104Z	CHIP C 0.10UF	Z	
C61			CK73GB1H103K	CHIP C 0.010UF	K	
C100			CK73GB1H152K	CHIP C 1500PF	K	
C101			CK73GB1C104Z	CHIP C 0.10UF	Z	
C102,103			CK73GB1H152K	CHIP C 1500PF	K	
C104			CK73GB1C104Z	CHIP C 0.10UF	Z	
C108			CK73GB1C104Z	CHIP C 0.10UF	Z	
C109			CE32AP1C101M	CHIP EL 100UF	16WV	
C110			CK73GB1C104Z	CHIP C 0.10UF	Z	
C111			CE32AP1C101M	CHIP EL 100UF	16WV	
C115			CK73GB1H103K	CHIP C 0.010UF	K	

L : Scandinavia K : USA P : Canada R : Mexico C : China I : Malaysia  
 Y : PX(Far East,Hawaii) T : England E : Europe G : Germany V : China(Shanghai)  
 Y : AAFES(Europe) X : Australia Q : Russia H : Korea M : Other Areas  $\Delta$  indicates safety critical components.

PARTS LIST

DV-6050

\* New Parts

Parts without **Parts No.** are not supplied.Les articles non mentionnés dans le **Parts No.** ne sont pas fournis.Teile ohne **Parts No.** werden nicht geliefert.

11

Ref. No	Add-ress	New Parts	Parts No.	Description	Desti-nation	Re-marks
C116			CK73GB1H152K	CHIP C 1500PF	K	
C117-119			CK73GB1C104Z	CHIP C 0.10UF	Z	
C120			CK73GB1H333K	CHIP C 0.033UF	K	
C121			CK73GB1C104Z	CHIP C 0.10UF	Z	
C122			CK73GB1H152K	CHIP C 1500PF	K	
C123			CC73GCH1H050C	CHIP C 5.0PF	C	
C124			CK73GB1C104Z	CHIP C 0.10UF	Z	
C127			CK73GB1H822K	CHIP C 8200PF	K	
C128			CK73GB1C393K	CHIP C 0.039UF	K	
C129			CE32AP0G221M	CHIP EL 220UF	4.0WV	
C130,131			CK73GB1C104Z	CHIP C 0.10UF	Z	
C135-137			CK73GB1C104Z	CHIP C 0.10UF	Z	
C138			CC73GCH1H681J	CHIP C 680PF	J	
C139			CK73GB1H682K	CHIP C 6800PF	K	
C140			CC73GCH1H561J	CHIP C 560PF	J	
C141			CK73GB1C104Z	CHIP C 0.10UF	Z	
C142			CK73GB1H333K	CHIP C 0.033UF	K	
C143			CC73GCH1H680J	CHIP C 68PF	J	
C144,145			CK73FB1H105Z	CHIP C 1.0UF	Z	
C146-148			CK73GB1C104Z	CHIP C 0.10UF	Z	
C149			CC73GCH1H102J	CHIP C 1000PF	J	
C150			CK73GB1C104Z	CHIP C 0.10UF	Z	
C152			CC73GCH1H102J	CHIP C 1000PF	J	
C154			CC73GCH1H102J	CHIP C 1000PF	J	
C155			CC73GCH1H121J	CHIP C 120PF	J	
C156			CC73GCH1H331J	CHIP C 330PF	J	
C157,158			CC73GCH1H101J	CHIP C 100PF	J	
C159			CK73GB1H152K	CHIP C 1500PF	K	
C160			CK73GB1C104Z	CHIP C 0.10UF	Z	
C161			CK73GB1H152K	CHIP C 1500PF	K	
C162			CK73GB1C104Z	CHIP C 0.10UF	Z	
C163			CK73GB1H152K	CHIP C 1500PF	K	
C164			CK73GB1C104Z	CHIP C 0.10UF	Z	
C200,201			CK73GB1H122K	CHIP C 1200PF	K	
C206			CK73GB1H122K	CHIP C 1200PF	K	
C207			CE32AP1C100M	CHIP EL 10UF	16WV	
C208			CC73GCH1H101J	CHIP C 100PF	J	
C209,210			CK73GB1H122K	CHIP C 1200PF	K	
C212-214			CK73GB1H122K	CHIP C 1200PF	K	
C215			CK73GB1C104Z	CHIP C 0.10UF	Z	
C216			CC73GCH1H101J	CHIP C 100PF	J	
C217-219			CK73GB1H122K	CHIP C 1200PF	K	
C220			CK73GB1C104Z	CHIP C 0.10UF	Z	
C222,223			CK73GB1H122K	CHIP C 1200PF	K	
C224			CE32AP1C100M	CHIP EL 10UF	16WV	
C226-228			CK73GB1H122K	CHIP C 1200PF	K	
C229			CC73GCH1H120J	CHIP C 12PF	J	
C230			CC73GCH1H150J	CHIP C 15PF	J	
C231			CK73GB1H102K	CHIP C 1000PF	K	
C232-235			CK73GB1H122K	CHIP C 1200PF	K	
C237			CC73GCH1H471J	CHIP C 470PF	J	
C238,239			CC73GCH1H471J	CHIP C 470PF	J	
C246			CK73GB1C104Z	CHIP C 0.10UF	Z	
C248			CE32AP0G221M	CHIP EL 220UF	4.0WV	
C249			CK73GB1C104Z	CHIP C 0.10UF	Z	

L : Scandinavia K : USA P : Canada R : Mexico C : China I : Malaysia

Y : PX(Far East,Hawaii) T : England E : Europe G : Germany V : China(Shanghai)

Y : AAFES(Europe) X : Australia Q : Russia H : Korea M : Other Areas  $\Delta$  indicates safety critical components .

\* New Parts

Parts without **Parts No.** are not supplied.Les articles non mentionnés dans le **Parts No.** ne sont pas fournis.Teile ohne **Parts No.** werden nicht geliefert.

12

Ref. No	Add-ress	New Parts	Parts No.	Description	Desti-nation	Re-marks
C251			CE32AP0G221M	CHIP EL 220UF	4.0WV	
C254			CE32AP0G221M	CHIP EL 220UF	4.0WV	
C255			CK73GB1C104Z	CHIP C 0.10UF	Z	
C258			CE32AP1C101M	CHIP EL 100UF	16WV	
C259,260			CK73GB1C104Z	CHIP C 0.10UF	Z	
C261			CE32AC0J221M	CHIP EL 220UF	6.3WV	
C300			CK73GB1C104Z	CHIP C 0.10UF	Z	
C301,302			CK73GB1H152K	CHIP C 1500PF	K	
C303			CK73GB1H103K	CHIP C 0.010UF	K	
C304			CK73GB1C104Z	CHIP C 0.10UF	Z	
C306,307			CK73GB1C104Z	CHIP C 0.10UF	Z	
C308			CK73GB1H152K	CHIP C 1500PF	K	
C310			CE32AP0G221M	CHIP EL 220UF	4.0WV	
C311			CK73GB1C104Z	CHIP C 0.10UF	Z	
C312			CE32AP0G221M	CHIP EL 220UF	4.0WV	
C313-315			CK73GB1C104Z	CHIP C 0.10UF	Z	
C317			CK73GB1C104Z	CHIP C 0.10UF	Z	
C318			CK73GB1H152K	CHIP C 1500PF	K	
C319,320			CK73GB1C104Z	CHIP C 0.10UF	Z	
C322			CK73GB1H152K	CHIP C 1500PF	K	
C328,329			CK73GB1C104Z	CHIP C 0.10UF	Z	
C330,331			CK73GB1H152K	CHIP C 1500PF	K	
C336			CK73GB1C104Z	CHIP C 0.10UF	Z	
C340,341			CK73GB1C104Z	CHIP C 0.10UF	Z	
C342			CK73FB1H105Z	CHIP C 1.0UF	Z	
C343			CK73GB1C104Z	CHIP C 0.10UF	Z	
C344			CK73FB1H105Z	CHIP C 1.0UF	Z	
C345,346			CK73GB1C104Z	CHIP C 0.10UF	Z	
C347,348			CK73GB1C104Z	CHIP C 0.10UF	Z	
C349			CK73FB1H105Z	CHIP C 1.0UF	Z	
C350			CK73GB1C104Z	CHIP C 0.10UF	Z	
C351			CK73FB1H105Z	CHIP C 1.0UF	Z	
C354			CK73GB1H152K	CHIP C 1500PF	K	
C355,356			CK73GB1C104Z	CHIP C 0.10UF	Z	
C357			CK73FB1H105Z	CHIP C 1.0UF	Z	
C358,359			CE32AP0G221M	CHIP EL 220UF	4.0WV	
C361			CK73GB1C104Z	CHIP C 0.10UF	Z	
C362			CK73GB1H152K	CHIP C 1500PF	K	
C363,364			CK73GB1C104Z	CHIP C 0.10UF	Z	
C365			CK73GB1H152K	CHIP C 1500PF	K	
C367			CK73GB1C104Z	CHIP C 0.10UF	Z	
C368			CK73GB1H152K	CHIP C 1500PF	K	
C369-371			CK73GB1C104Z	CHIP C 0.10UF	Z	
C372			CK73GB1H152K	CHIP C 1500PF	K	
C376			CK73GB1C104Z	CHIP C 0.10UF	Z	
C377			CE32AP1C101M	CHIP EL 100UF	16WV	
C378			CK73GB1H152K	CHIP C 1500PF	K	
C380			CK73GB1C104Z	CHIP C 0.10UF	Z	
C382			CK73GB1C104Z	CHIP C 0.10UF	Z	
C384			CK73GB1C104Z	CHIP C 0.10UF	Z	
C386,387			CK73GB1C104Z	CHIP C 0.10UF	Z	
C389,390			CK73GB1C104Z	CHIP C 0.10UF	Z	
C401			CE32AP1C100M	CHIP EL 10UF	16WV	
C407			CK73GB1H122K	CHIP C 1200PF	K	
C409			CK73GB1H122K	CHIP C 1200PF	K	

L : Scandinavia K : USA P : Canada R : Mexico C : China I : Malaysia

Y : PX(Far East,Hawaii) T : England E : Europe G : Germany V : China(Shanghai)

Y : AAFES(Europe) X : Australia Q : Russia H : Korea M : Other Areas  $\Delta$  indicates safety critical components .

\* New Parts

Parts without **Parts No.** are not supplied.

Les articles non mentionnés dans le **Parts No.** ne sont pas fournis.

Teile ohne **Parts No.** werden nicht geliefert.

13

Ref. No	Add-ress	New Parts	Parts No.	Description	Desti-nation	Re-marks
C410			CC73GCH1H102J	CHIP C	1000PF	J
C411			CC73GCH1H221J	CHIP C	220PF	J
C413			CK73GB1H122K	CHIP C	1200PF	K
C415			CK73GB1H122K	CHIP C	1200PF	K
C416			CK73GB1H103K	CHIP C	0.010UF	K
C419			CK73GB1H122K	CHIP C	1200PF	K
C420			CC73GCH1H102J	CHIP C	1000PF	J
C428			CC73GCH1H102J	CHIP C	1000PF	J
C429			CK73GB1H122K	CHIP C	1200PF	K
C431			CK73GB1H122K	CHIP C	1200PF	K
C432			CC73GCH1H102J	CHIP C	1000PF	J
C434			CK73GB1H122K	CHIP C	1200PF	K
C435			CC73GCH1H102J	CHIP C	1000PF	J
C436			CC73GCH1H060D	CHIP C	6.0PF	D
C437			CC73GCH1H040C	CHIP C	4.0PF	C
C700-702			CK73FB1H105Z	CHIP C	1.0UF	Z
C703			CE32AP1C220M	CHIP EL	22UF	16WV
C704-706			CK73FB1H105Z	CHIP C	1.0UF	Z
C708		*	CE32AS1C100M	CHIP EL	10UF	16WV
C710		*	CE32AS1C100M	CHIP EL	10UF	16WV
C712			CE32AS1C100M	CHIP EL	10UF	16WV
C713			CK73GB1C104Z	CHIP C	0.10UF	Z
C714			CE32AP1C101M	CHIP EL	100UF	16WV
C716-718		*	CE32AP1C100M	CHIP EL	10UF	16WV
C719-721			CK73FB1H105Z	CHIP C	1.0UF	Z
C722			CE32AP1C220M	CHIP EL	22UF	16WV
C723-725			CK73FB1H105Z	CHIP C	1.0UF	Z
C732			CE32AP1C220M	CHIP EL	22UF	16WV
C733			CE32APOG221M	CHIP EL	220UF	4.0WV
C734			CE32AP1C220M	CHIP EL	22UF	16WV
C735			CE32APOG221M	CHIP EL	220UF	4.0WV
C736,737			CK73GB1C104Z	CHIP C	0.10UF	Z
C738			CE32AP1C101M	CHIP EL	100UF	16WV
C920			CK73GB1H222K	CHIP C	2200PF	K
CN1		*	E41-0847-05	CONN(FFC)8P	55451360	
CN2		*	E40-4970-05	CONN(FFC)24P	55009830	
CN33		*	E41-0841-05	CONN(FFC)5P	55451260	
L17 -19			L41-1005-26	LF-SMD 10U0H +155417950		
L20			L41-1095-26	LF-SMD 1U0H +1055416550		
L21			L41-1005-26	LF-SMD 10U0H +155417950		
L22			L41-1005-26	LF-SMD 10U0H +155417950		
L100			L41-1095-26	LF-SMD 1U0H +1055416550		
L101			L41-1095-26	LF-SMD 1U0H +1055416550		
L102			L41-1005-26	LF-SMD 10U0H +155417950		
L200			L41-1005-26	LF-SMD 10U0H +155417950		
L204		*	L41-1005-26	LF-SMD 10U0H +155417950		
L219		*	L41-1095-26	LF-SMD 1U0H +1055416550		
L300,301			L41-1005-26	LF-SMD 10U0H +155417950		
L320			L92-0515-05	FBEAD SURFACE M55416360		
L401			L41-1005-26	LF-SMD 10U0H +155417950		
X200			L77-2358-05	FILQZOSC 27M0 H55404270		
X401		*	L77-2360-05	FILQZOSC 36M86415806290		
CP30 -38		*	RK74GB1J151J	CHIP-COM	150	J 1/16W
R1			RK73GB1J2R2J	CHIP R	2.2	J 1/16W

L : Scandinavia    K : USA    P : Canada    R : Mexico    C : China    I : Malaysia  
 Y : PX(Far East,Hawaii)    T : England    E : Europe    G : Germany    V : China(Shanghai)  
 Y : AAFES(Europe)    X : Australia    Q : Russia    H : Korea    M : Other Areas    Δ indicates safety critical components .

\* New Parts

Parts without **Parts No.** are not supplied.

Les articles non mentionnés dans le **Parts No.** ne sont pas fournis.

Teile ohne **Parts No.** werden nicht geliefert.

14

Ref. No	Add-ress	New Parts	Parts No.	Description	Desti-nation	Re-marks
R2			RK73GB1J683J	CHIP R	68K	J 1/16W
R3			RK73GB1J511J	CHIP R	510	J 1/16W
R28 -31			RK73GB1J272J	CHIP R	2.7K	J 1/16W
R32			RK73GB1J102J	CHIP R	1.0K	J 1/16W
R33			R92-4581-05	METAL GLAZE	27	J 1/2W
R34			RK73GB1J2R2J	CHIP R	2.2	J 1/16W
R35			R92-4581-05	METAL GLAZE	27	J 1/2W
R36			RK73GB1J2R2J	CHIP R	2.2	J 1/16W
R37			RK73GB1J333J	CHIP R	33K	J 1/16W
R38 ,39			RK73GB1J103J	CHIP R	10K	J 1/16W
R40			RK73GB1J101J	CHIP R	100	J 1/16W
R41			RK73GB1J104J	CHIP R	100K	J 1/16W
R42 -44			RK73GB1J473J	CHIP R	47K	J 1/16W
R46 -48			RK73GB1J101J	CHIP R	100	J 1/16W
R49			RK73GB1J223J	CHIP R	22K	J 1/16W
R50			RK73GB1J102J	CHIP R	1.0K	J 1/16W
R51			RK73GB1J682J	CHIP R	6.8K	J 1/16W
R52			RK73GB1J102J	CHIP R	1.0K	J 1/16W
R53			RK73GB1J1R0J	CHIP R	1	J 1/16W
R55			RK73GB1J1R0J	CHIP R	1	J 1/16W
R56			RK73GB1J222J	CHIP R	2.2K	J 1/16W
R57 ,58			RK73GB1J105J	CHIP R	1.0M	J 1/16W
R59 ,60			RK73GB1J103J	CHIP R	10K	J 1/16W
R65			RK73GB1J471J	CHIP R	470	J 1/16W
R66 ,67			RK73GB1J102J	CHIP R	1.0K	J 1/16W
R68 -71			RK73GB1J113J	CHIP R	11K	J 1/16W
R100,101			RK73GB1J472J	CHIP R	4.7K	J 1/16W
R102			RK73GB1J103J	CHIP R	10K	J 1/16W
R103-105			RK73GB1J1R0J	CHIP R	1	J 1/16W
R106			RK73GB1J103J	CHIP R	10K	J 1/16W
R108-110			RK73GB1J1R0J	CHIP R	1	J 1/16W
R111			RK73GB1J102J	CHIP R	1.0K	J 1/16W
R112,113			RK73GB1J103J	CHIP R	10K	J 1/16W
R114			RK73GB1J100J	CHIP R	10	J 1/16W
R115,116			RK73GB1J752J	CHIP R	7.5K	J 1/16W
R117			RK73GB1J102J	CHIP R	1.0K	J 1/16W
R118			RK73GB1J273J	CHIP R	27K	J 1/16W
R119			RK73GB1J1R0J	CHIP R	1	J 1/16W
R120			RK73GB1J223J	CHIP R	22K	J 1/16W
R121			RK73GB1J563J	CHIP R	56K	J 1/16W
R122			RK73GB1J223J	CHIP R	22K	J 1/16W
R123			RK73GB1J563J	CHIP R	56K	J 1/16W
R124			RK73GB1J183J	CHIP R	18K	J 1/16W
R125,126			RK73GB1J472J	CHIP R	4.7K	J 1/16W
R127			RK73GB1J103J	CHIP R	10K	J 1/16W
R129-131			RK73GB1J1R0J	CHIP R	1	J 1/16W
R132			RK73GB1J102J	CHIP R	1.0K	J 1/16W
R133			RK73GB1J153J	CHIP R	15K	J 1/16W
R134			RK73GB1J105J	CHIP R	1.0M	J 1/16W
R135,136			RK73GB1J822J	CHIP R	8.2K	J 1/16W
R137-140			RK73GB1J153J	CHIP R	15K	J 1/16W
R143-157			RK73GB1J473J	CHIP R	47K	J 1/16W
R158			RK73GB1J100J	CHIP R	10	J 1/16W
R159			RK73GB1J470J	CHIP R	47	J 1/16W
R160,161			RK73GB1J100J	CHIP R	10	J 1/16W

L : Scandinavia    K : USA    P : Canada    R : Mexico    C : China    I : Malaysia  
 Y : PX(Far East,Hawaii)    T : England    E : Europe    G : Germany    V : China(Shanghai)  
 Y : AAFES(Europe)    X : Australia    Q : Russia    H : Korea    M : Other Areas    Δ indicates safety critical components .

PARTS LIST

DV-6050

## \* New Parts

Parts without **Parts No.** are not supplied.Les articles non mentionnés dans le **Parts No.** ne sont pas fournis.Teile ohne **Parts No.** werden nicht geliefert.

15

Ref. No	Address	New Parts	Parts No.	Description	Destination	Remarks
R165			RK73GB1J101J	CHIP R 100 J 1/16W		
R199			RK73GB1J105J	CHIP R 1.0M J 1/16W		
R207			RK73GB1J2R2J	CHIP R 2.2 J 1/16W		
R208,209			RK73GB1J103J	CHIP R 10K J 1/16W		
R210			RK73GB1J473J	CHIP R 47K J 1/16W		
R211			RK73GB1J100J	CHIP R 10 J 1/16W		
R212,213			RK73GB1J103J	CHIP R 10K J 1/16W		
R214,215			RK73GB1J473J	CHIP R 47K J 1/16W		
R216			RK73GB1J104J	CHIP R 100K J 1/16W		
R217			RK73GB1J472J	CHIP R 4.7K J 1/16W		
R218			RK73GB1J103J	CHIP R 10K J 1/16W		
R219,220			RK73GB1J473J	CHIP R 47K J 1/16W		
R221			RK73GB1J103J	CHIP R 10K J 1/16W		
R222			RK73GB1J473J	CHIP R 47K J 1/16W		
R223			RK73GB1J103J	CHIP R 10K J 1/16W		
R224-230			RK73GB1J473J	CHIP R 47K J 1/16W		
R231			RK73GB1J472J	CHIP R 4.7K J 1/16W		
R232			RK73GB1J103J	CHIP R 10K J 1/16W		
R233			RK73GB1J472J	CHIP R 4.7K J 1/16W		
R234			RK73GB1J473J	CHIP R 47K J 1/16W		
R235			RK73GB1J1R0J	CHIP R 1 J 1/16W		
R236			RK73GB1J101J	CHIP R 100 J 1/16W		
R237			RK73GB1J1R0J	CHIP R 1 J 1/16W		
R238			RK73GB1J222J	CHIP R 2.2K J 1/16W		
R239			RK73GB1J103J	CHIP R 10K J 1/16W		
R240			RK73GB1J470J	CHIP R 47 J 1/16W		
R241			RK73GB1J750J	CHIP R 75 J 1/16W		
R242			RK73GB1J101J	CHIP R 100 J 1/16W		
R243-246			RK73GB1J2R2J	CHIP R 2.2 J 1/16W		
R248			RK73GB1J470J	CHIP R 47 J 1/16W		
R249,250			RK73GB1J105J	CHIP R 1.0M J 1/16W		
R251			RK73GB1J151J	CHIP R 150 J 1/16W		
R252-254			RK73GB1J2R2J	CHIP R 2.2 J 1/16W		
R255			RK73GB1J101J	CHIP R 100 J 1/16W		
R256,257			RK73GB1J470J	CHIP R 47 J 1/16W		
R258			RK73GB1J151J	CHIP R 150 J 1/16W		
R263,264			RK73GB1J103J	CHIP R 10K J 1/16W		
R266			RK73GB1J221J	CHIP R 220 J 1/16W		
R267			RK73GB1J121J	CHIP R 120 J 1/16W		
R269			RK73GB1J820J	CHIP R 82 J 1/16W		
R272			RK73GB1J100J	CHIP R 10 J 1/16W		
R276			RK73GB1J152J	CHIP R 1.5K J 1/16W		
R277			RK73GB1J332J	CHIP R 3.3K J 1/16W		
R285			RK73GB1J100J	CHIP R 10 J 1/16W		
R286			RK73GB1J102J	CHIP R 1.0K J 1/16W		
R287,288			RK73GB1J103J	CHIP R 10K J 1/16W		
R289			RK73GB1J102J	CHIP R 1.0K J 1/16W		
R290-295			RK73GB1J103J	CHIP R 10K J 1/16W		
R296			RK73GB1J103J	CHIP R 10K J 1/16W		
R297			RK73GB1J471J	CHIP R 470 J 1/16W		
R300			RK73GB1J102J	CHIP R 1.0K J 1/16W		
R301,302			RK73GB1J473J	CHIP R 47K J 1/16W		
R304			RK73GB1J101J	CHIP R 100 J 1/16W		
R306,307			RK73GB1J100J	CHIP R 10 J 1/16W		
R309			RK73GB1J473J	CHIP R 47K J 1/16W		

L : Scandinavia K : USA P : Canada R : Mexico C : China I : Malaysia

Y : PX(Far East,Hawaii) T : England E : Europe G : Germany V : China(Shanghai)

Y : AAFES(Europe) X : Australia Q : Russia H : Korea M : Other Areas  $\Delta$  indicates safety critical components .

## \* New Parts

Parts without **Parts No.** are not supplied.Les articles non mentionnés dans le **Parts No.** ne sont pas fournis.Teile ohne **Parts No.** werden nicht geliefert.

16

Ref. No	Address	New Parts	Parts No.	Description	Destination	Remarks
R310-316			RK73GB1J470J	CHIP R 47 J 1/16W		
R321			RK73GB1J151J	CHIP R 150 J 1/16W		
R322			RK73GB1J470J	CHIP R 47 J 1/16W		
R325			RK73GB1J750J	CHIP R 75 J 1/16W		
R326			RK73GB1J101J	CHIP R 100 J 1/16W		
R327			RK73GB1J102J	CHIP R 1.0K J 1/16W		
R328			RK73GB1J750J	CHIP R 75 J 1/16W		
R329			RK73GB1J101J	CHIP R 100 J 1/16W		
R330			RK73GB1J102J	CHIP R 1.0K J 1/16W		
R331			RK73GB1J750J	CHIP R 75 J 1/16W		
R332			RK73GB1J101J	CHIP R 100 J 1/16W		
R333			RK73GB1J102J	CHIP R 1.0K J 1/16W		
R334			RK73GB1J750J	CHIP R 75 J 1/16W		
R335			RK73GB1J101J	CHIP R 100 J 1/16W		
R336			RK73GB1J331J	CHIP R 330 J 1/16W		
R337			RK73GB1J473J	CHIP R 47K J 1/16W		
R338			RK73GB1J153J	CHIP R 15K J 1/16W		
R339			RK73GB1J103J	CHIP R 10K J 1/16W		
R340			RK73GB1J153J	CHIP R 15K J 1/16W		
R341			RK73GB1J752J	CHIP R 7.5K J 1/16W		
R342			RK73GB1J222J	CHIP R 2.2K J 1/16W		
R343			RK73GB1J102J	CHIP R 1.0K J 1/16W		
R344			RK73GB1J222J	CHIP R 2.2K J 1/16W		
R345			RK73GB1J102J	CHIP R 1.0K J 1/16W		
R346			RK73GB1J272J	CHIP R 2.7K J 1/16W		
R347			RK73GB1J102J	CHIP R 1.0K J 1/16W		
R348			RK73GB1J222J	CHIP R 2.2K J 1/16W		
R349			RK73GB1J102J	CHIP R 1.0K J 1/16W		
R357			RK73GB1J220J	CHIP R 22 J 1/16W		
R360			RK73GB1J100J	CHIP R 10 J 1/16W		
R361-364			RK73GB1J1R0J	CHIP R 1 J 1/16W		
R365			RK73GB1J103J	CHIP R 10K J 1/16W		
R366			RK73GB1J1R0J	CHIP R 1 J 1/16W		
R367			RK73GB1J473J	CHIP R 47K J 1/16W		
R368,369			RK73GB1J1R0J	CHIP R 1 J 1/16W		
R371			RK73GB1J470J	CHIP R 47 J 1/16W		
R403,404			RK73GB1J1R0J	CHIP R 1 J 1/16W		
R406			RK73GB1J101J	CHIP R 100 J 1/16W		
R407			RK73GB1J470J	CHIP R 47 J 1/16W		
R409,410			RK73GB1J1R0J	CHIP R 1 J 1/16W		
R411			RK73GB1J102J	CHIP R 1.0K J 1/16W		
R413			RK73GB1J1R0J	CHIP R 1 J 1/16W		
R414			RK73GB1J103J	CHIP R 10K J 1/16W		
R415			RK73GB1J470J	CHIP R 47 J 1/16W		
R417			RK73GB1J470J	CHIP R 47 J 1/16W		
R419			RK73GB1J470J	CHIP R 47 J 1/16W		
R421			RK73GB1J470J	CHIP R 47 J 1/16W		
R423			RK73GB1J470J	CHIP R 47 J 1/16W		
R425,426			RK73GB1J1R0J	CHIP R 1 J 1/16W		
R427			RK73GB1J1R0J	CHIP R 1 J 1/16W		
R428			RK73GB1J3R9J	CHIP R 3.9 J 1/16W		
R429			RK73GB1J151J	CHIP R 150 J 1/16W		
R430,431			RK73GB1J105J	CHIP R 1.0M J 1/16W		
R432			RK73GB1J470J	CHIP R 47 J 1/16W		
R700			RK73GB1J102J	CHIP R 1.0K J 1/16W		

L : Scandinavia K : USA P : Canada R : Mexico C : China I : Malaysia

Y : PX(Far East,Hawaii) T : England E : Europe G : Germany V : China(Shanghai)

Y : AAFES(Europe) X : Australia Q : Russia H : Korea M : Other Areas  $\Delta$  indicates safety critical components .

\* New Parts

Parts without **Parts No.** are not supplied.

Les articles non mentionnés dans le **Parts No.** ne sont pas fournis.

Teile ohne **Parts No.** werden nicht geliefert.



Ref. No	Add-ress	New Parts	Parts No.	Description	Desti-nation	Re-marks
R702			RK73GB1J102J	CHIP R 1.0K J 1/16W		
R704			RK73GB1J222J	CHIP R 2.2K J 1/16W		
R705,706			RK73GB1J223J	CHIP R 22K J 1/16W		
R707			RK73GB1J222J	CHIP R 2.2K J 1/16W		
R709			RK73GB1J182J	CHIP R 1.8K J 1/16W		
R711			RK73GB1J222J	CHIP R 2.2K J 1/16W		
R712,713			RK73GB1J223J	CHIP R 22K J 1/16W		
R714			RK73GB1J222J	CHIP R 2.2K J 1/16W		
R716			RK73GB1J182J	CHIP R 1.8K J 1/16W		
R718			RK73GB1J222J	CHIP R 2.2K J 1/16W		
R719,720			RK73GB1J223J	CHIP R 22K J 1/16W		
R721			RK73GB1J222J	CHIP R 2.2K J 1/16W		
R723			RK73GB1J182J	CHIP R 1.8K J 1/16W		
R725,726			RK73GB1J101J	CHIP R 100 J 1/16W		
R727,728			RK73GB1J1R0J	CHIP R 1 J 1/16W		
R729-734			RK73GB1J183J	CHIP R 18K J 1/16W		
R881			RK73GB1J330J	CHIP R 33 J 1/16W		
R891-898			RK73GB1J100J	CHIP R 10 J 1/16W		
R920			RK73GB1J3R9J	CHIP R 3.9 J 1/16W		
VR30-33			R32-0112-05	PR 1K0 OHM +30%55431650		
W1 -32			RK73GB1J000J	CHIP R 0 J 1/16W		
W34			RK73GB1J000J	CHIP R 0 J 1/16W		
W37			RK73GB1J000J	CHIP R 0 J 1/16W		
W202-207			RK73GB1J000J	CHIP R 0 J 1/16W		
W209-212			RK73GB1J000J	CHIP R 0 J 1/16W		
W217-221			RK73GB1J000J	CHIP R 0 J 1/16W		
W223-227			RK73GB1J000J	CHIP R 0 J 1/16W		
W240			RK73GB1J000J	CHIP R 0 J 1/16W		
W301-303			RK73GB1J000J	CHIP R 0 J 1/16W		
W305,306			RK73GB1J000J	CHIP R 0 J 1/16W		
W308			RK73GB1J000J	CHIP R 0 J 1/16W		
W313-337			RK73GB1J000J	CHIP R 0 J 1/16W		
W340,341			RK73GB1J000J	CHIP R 0 J 1/16W		
W401			RK73GB1J000J	CHIP R 0 J 1/16W		
W702-704			RK73GB1J000J	CHIP R 0 J 1/16W		
W709-711			RK73GB1J000J	CHIP R 0 J 1/16W		
W713			RK73GB1J000J	CHIP R 0 J 1/16W		
W719-723			RK73GB1J000J	CHIP R 0 J 1/16W		
W726,727			RK73GB1J000J	CHIP R 0 J 1/16W		
W739-748			RK73GB1J000J	CHIP R 0 J 1/16W		
W750-758			RK73GB1J000J	CHIP R 0 J 1/16W		
W761-763			RK73GB1J000J	CHIP R 0 J 1/16W		
W872			RK73GB1J000J	CHIP R 0 J 1/16W		
W876-880			RK73GB1J000J	CHIP R 0 J 1/16W		
W882,883			RK73GB1J000J	CHIP R 0 J 1/16W		
W900-903			RK73GB1J000J	CHIP R 0 J 1/16W		
D202			1SS400	D-SLP 1SS400 8055415550		
D203,204			U1BC44	D-SR U1BC44 10055420550		
D205-214			1SS400	D-SLP 1SS400 8055415550		
IC5			BA5823FM	IC-MOTORCIR BA 55391640		
IC6			AN8703FH	IC CD AN8703FH 55433070		
IC10			MN103S26E	IC-MICROCONT MN55433110		
IC11			SST39VF160	IC-MEMFLASH SST55392240		
IC12,13			TC7WH74FU	IC(D FLIP FLOP WITH PRESET/CLE		

L : Scandinavia K : USA P : Canada R : Mexico C : China I : Malaysia  
 Y : PX(Far East,Hawaii) T : England E : Europe G : Germany V : China(Shanghai)  
 Y : AAFES(Europe) X : Australia Q : Russia H : Korea M : Other Areas Δ indicates safety critical components .

\* New Parts

Parts without **Parts No.** are not supplied.

Les articles non mentionnés dans le **Parts No.** ne sont pas fournis.

Teile ohne **Parts No.** werden nicht geliefert.



Ref. No	Add-ress	New Parts	Parts No.	Description	Desti-nation	Re-marks
IC14			SM8703CV	IC-SPECFUNC SM855392140		
IC15			TC7SHU04FU	IC(INVERTER)SHU55392800		
IC16			TC7WH157FU	IC(2-CHANNEL MULTIPLEXER)		
IC20			BA033FP	IC(MOS IC)XD BA55352910		
IC21			TC3W02FU	IC(2-3 LINE DECODER)770		
IC24 ,25			TC7SET08FU	IC(IC)IC TC7SET55392830		
IC26			MN102L62G	IC(MI-CON IC)MN55432990		
IC27			PST596JNR	IC(ANALOGUE IC)55392040		
IC28			BU2092FV	IC-SPECFUNC BU255392760		
IC29			M95040	IC-EEPROM M950455420650		
IC30		*	MN677531	IC-VIDEOPROC MN55432980		
IC31			TC7SHU04FU	IC(INVERTER)SHU55392800		
IC32			HY57V641620HGT	IC-DRAM 100M0 H55236130		
IC41			MN5B00	IC(MOS IC)C MN 55433140		
IC42			TC7SHU04FU	IC(INVERTER)SHU55392800		
IC70		*	MM1567	IC-VIDEOPROC MM55420350		
IC71			MM1568	IC-VIDEOPROC MM55389040		
IC90			BA033FP	IC(MOS IC)XD BA55352910		
IC91		*	BA18BC0FP	IC-REGPOSF XD BA55421050		
IC92		*	BA25BC0FP	IC-REGPOSF XD BA55421150		
IC94			TC7SH08FU	IC(2ch AND GATE)5422000		
Q3			2SC4081	TR-SLPHF 2SC40855170530		
Q4			DTC124EUA	TR-SSD DTC124EU55411050		
Q7		*	2SA1576A	TR-SLPHF 2SA15755170560		
Q8 ,9			2SA1577	TR-SSD 2SA1577 55410850		
Q10			DTC124EUA	TR-SSD DTC124EU55411050		
Q200			2SC4081	TR-SLPHF 2SC40855170530		
Q201		*	2SA1576A	TR-SLPHF 2SA15755170560		
Q202			DTC124EUA	TR-SSD DTC124EU55411050		
Q300-303		*	2SA1576A	TR-SLPHF 2SA15755170560		
Q700			DTC114TUA	TR-SSD DTC114TU55100110		
Q701			DTA114TUA	TR-SSD DTA114TU55411250		
Q702			DTC114EUA	TR-SSD DTC144EU55410950		
Q703,704			2SC4081	TR-SLPHF 2SC40855170530		
Q705,706			DTC124EUA	TR-SSD DTC124EU55411050		
Q708,709			2SC4081	TR-SLPHF 2SC40855170530		
Q710,711			DTC124EUA	TR-SSD DTC124EU55411050		
Q713,714			2SC4081	TR-SLPHF 2SC40855170530		
Q715,716			DTC124EUA	TR-SSD DTC124EU55411050		
<b>MECHANISM CONTROL PCB</b>						
C001			CC45FSL1H220J	CERAMIC 22PF J		
C002			CK45FB1E104K	CERAMIC 0.10UF K		
C003			CC45FSL1H220J	CERAMIC 22PF J		
C004			CK45FB1E104K	CERAMIC 0.10UF K		
C005			CE04LW1E102M	ELECTRO 1000UF 25WV		
L001			L33-1646-08	LF 39U0H +10% 120265120		
R003,004			RD14GB2E2R2J	FL-PROOF RD 2.2 J 1/4W		
PI001-003			RPI-574	D-PHOTO ITR960 20586840		
PI004			GP2S28	D-PHOTO GP2S28 20556130		
D001		*	1N5231B	D-ZENER 1N5231B20526960		
D002			1N5232B	D-ZENER 1N5232B20414280		
IC001,002			LB1641	IC(MOTOR DRIVER)0656300		

L : Scandinavia K : USA P : Canada R : Mexico C : China I : Malaysia  
 Y : PX(Far East,Hawaii) T : England E : Europe G : Germany V : China(Shanghai)  
 Y : AAFES(Europe) X : Australia Q : Russia H : Korea M : Other Areas Δ indicates safety critical components .

PARTS LIST

DV-6050

# DV-6050

## SPECIFICATIONS

### Format section

Format ..... DVD audio ver. 1.2 / DVD video ver.1.1  
Laser ..... Semiconductor laser

### Audio section

Frequency response  
Sampling frequency: 44.1kHz (CD only) .. 4 Hz ~ 20 kHz  
Sampling frequency: 48 kHz ..... 4 Hz ~ 22 kHz  
Sampling frequency: 96 kHz ..... 4 Hz ~ 44 kHz  
Sampling frequency: 192 kHz (DVD AUDIO only)  
..... 4 Hz ~ 80 kHz  
Signal to noise ratio ..... More than 100 dB  
Dynamic range ..... More than 95 dB  
Total harmonic distortion  
2 Ch. (DOWN MIX) : ..... Less than 0.006 % (1kHz)  
5.1 Ch. : ..... Less than 0.010 % (1kHz)  
Channel separation ..... More than 95 dB (1kHz)  
Analog output level/impedance  
MIX LINE OUTPUT ..... 2.0 V/ 510 Ω  
6 CH. OUTPUT ..... 2.0 V/ 510 Ω  
Digital output level/impedance  
COAXIAL ..... 0.5 Vp-p/ 75 Ω  
OPTICAL (Wave length 660 nm) ..... -21 dBm ~ -15 dBm

### Video Section

Video output format ..... NTSC  
Composite video output level ..... 1 Vp-p (75 Ω)  
S-video output level  
(Y-signal) ..... 1 Vp-p (75 Ω)  
(C-signal) ..... 0.286 Vp-p (75 Ω)  
Component video output level  
(Interlace/"Black Level Setup"=7.5 IRE)  
(Y-signal) ..... 1 Vp-p (75 Ω)  
(CB-signal) ..... 0.7 Vp-p (75 Ω)  
(CR-signal) ..... 0.7 Vp-p (75 Ω)  
Video signal to noise ratio ..... 60 dB  
Horizontal resolution ..... 500 lines

### Laser Section (DVD)

Wavelength ..... 640 ~ 660 nm  
Laser power class ..... class 2 (IEC)

### General Section

Power consumption ..... 23 W  
Dimensions ..... W : 440 mm (17-5/16")  
H : 127 mm (5")  
D : 432 mm (17")  
Weight (net) ..... 7.0 kg (15.4 lb)



KENWOOD follows a policy of continuous advancements in development. For this reason specifications may be changed without notice.

- Sufficient performance may not be exhibited at extremely cold locations (where water freezes).

#### Note:

Component and circuit are subject to modification to insure best operation under differing local conditions. This manual is based on Europe (E) standard, and provides information on regional circuit modification through use of alternate schematic diagrams, and information on regional component variations through use of parts list.

## KENWOOD CORPORATION

2967-3, Ishikawa-machi, Hachioji-shi, Tokyo, 192-8525 Japan

### KENWOOD SERVICE CORPORATION

P.O. BOX 22745, 2201 East Dominguez St., Long Beach, CA 90801-5745, U.S.A.

### KENWOOD ELECTRONICS CANADA INC.

6070 Kestrel Road, Mississauga, Ontario, Canada L5T 1S8

### KENWOOD ELECTRONICS LATIN AMERICA S.A.

P.O. BOX 55-2791, Piso 6 plaza Chase, Cl. 47 y Aquilino de la Guardia Panama, Republic de Panama

### KENWOOD ELECTRONICS BRASIL LTDA.

Alameda Ministro Rocha Azevedo No. 456, Edificio Jaú, 10o Andar, Cerqueira César, Cep 0140-001, São Paulo-SP-Brasil

### KENWOOD ELECTRONICS U.K. LIMITED

KENWOOD House, Dwight Road, Watford, Herts., WD18 9EB, United Kingdom

### KENWOOD ELECTRONICS BELGIUM N.V.

Leuvensesteenweg 248 J, 1800 Vilvoorde, Belgium

### KENWOOD ELECTRONICS DEUTSCHLAND GMBH

Rembrücker Str. 15, 63150 Heusenstamm, Germany

### KENWOOD ELECTRONICS FRANCE S.A.

13 Boulevard Ney, 75018 Paris, France

### KENWOOD ELECTRONICS ITALIA S.p.A.

Via G. Sirtori, 7/9 20129, Milano, Italy

### KENWOOD IBÉRICA S.A.

Bolivia, 239-08020 Barcelona, Spain

### KENWOOD ELECTRONICS AUSTRALIA PTY. LTD.

(A.C.N. 001 499 074)  
16 Giffnock Avenue, North Ryde, N.S.W. 2113, Australia

### KENWOOD ELECTRONICS (HONG KONG) LTD.

Unit 3712-3724, Level 37, Tower 1, Metroplaza, 223 Hing Fong Road, Kwai Fong N.T., Hong Kong

### KENWOOD ELECTRONICS GULF FZE

P.O. Box 61318, Jebel Ali, Dubai, U.A.E.

### KENWOOD ELECTRONICS SINGAPORE PTE LTD.

No. 1 Genting Lane #02-02, KENWOOD Building, Singapore, 349544

### KENWOOD ELECTRONICS (MALAYSIA) SDN BHD.

#4.01 Level 4, Wisma Academy Lot 4A, Jalan 19/1 46300 Petaling Jaya Selangor Darul Ehsan Malaysia

### KENWOOD ELECTRONICS (THAILAND) CO., LTD.

2019 New Pechburi Road, Bangkapi, Huaykwang, Bangkok, 10320 Thailand